

60 Series High Pressure Fittings

60,000 psig (4137 bar)



Fittings
Tubing
Quick Couplings
Line Filters
Valves
Sour Service Products
Subsea Valves
Tools and Installation Instructions
Technical Information
Part Number Crossover Charts

Contents

Glands - HG



A-24

[Installation Instructions](#)

H-07

Collars - HCO



A-24

[Connection Information](#)

I-02

Plugs - HTP



A-24

[Ordering Number Description](#)

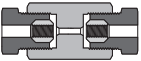
A-28

Caps - HTC



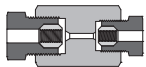
A-25

Unions - HU



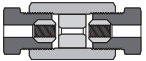
A-25

Reducing Unions - HU



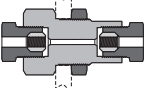
A-25

Unions (Slip Type) - HSU



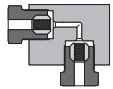
A-26

Bulkhead Unions - HBU



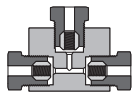
A-26

Union Elbows - HLU



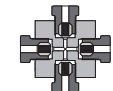
A-26

Union Tees - HT



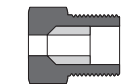
A-27

Union Crosses - HX



A-27

Anti-vibration Gland Assemblies - HAV



A-27

Fittings

Tubing

Quick Couplings

Line Filters

Valves

Sour Service Products

Subsea Valves

Tools and Installation Instructions

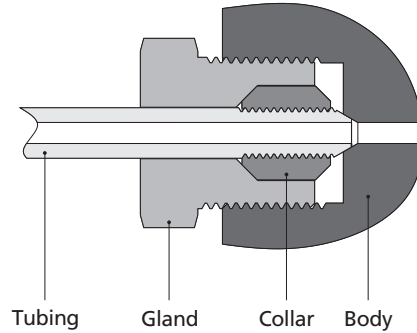
Technical Information

Part Number Crossover Charts

Features

- Working pressure: 60,000 psig (4137 bar)
- Working temperature range: -423°F to 1200°F (-252°C to 649°C)
- Use with T60 series tubing as standard, tubing sizes available in 1/4", 3/8" and 9/16"
- High tensile 316 stainless steel material
- Every fitting marked with size, material and heat number

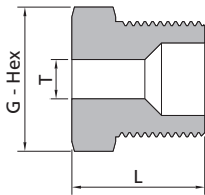
Construction



Ordering Information and Dimensions

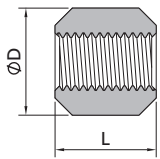
Dimensions are for reference only and are subject to change.

Glands



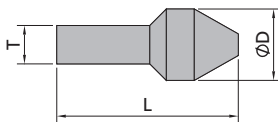
Tube			
T - Tube O.D. in.	Ordering Number	Dimensions, in. (mm)	
		G	L
1/4	SS-HG-HF4	0.63 (15.9)	0.82 (20.8)
3/8	SS-HG-HF6	0.81 (20.6)	1.13 (28.7)
9/16	SS-HG-HF9	1.19 (30.2)	1.50 (38.1)

Collars



Tube			
T - Tube O.D. in.	Ordering Number	Dimensions, in. (mm)	
		D	L
1/4	SS-HCO-HF4	0.38 (9.6)	0.38 (9.6)
3/8	SS-HCO-HF6	0.50 (12.7)	0.54 (13.7)
9/16	SS-HCO-HF9	0.81 (20.6)	0.62 (15.8)

Plugs^①

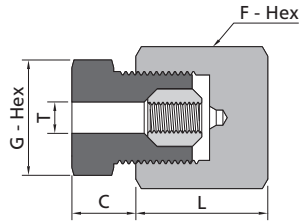


Tube			
T - Tube O.D. in.	Ordering Number	Dimensions, in. (mm)	
		D	L
1/4	SS-HTP-HF4	0.38 (9.6)	1.04 (26.4)
3/8	SS-HTP-HF6	0.50 (12.7)	1.35 (34.3)
9/16	SS-HTP-HF9	0.81 (20.6)	1.89 (48.0)

① When using plug, collar is not required.

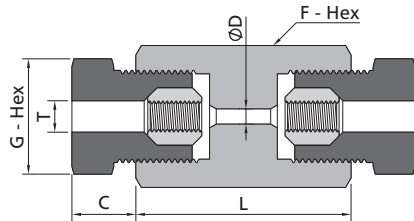
Fittings
Tubing
Quick Couplings
Line Filters
Valves
Sour Service Products
Subsea Valves
Tools and Installation Instructions
Technical Information
Part Number Crossover Charts

Caps



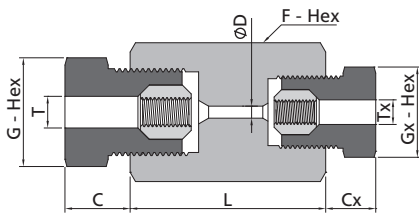
Tube		Dimensions, in. (mm)			
T - Tube O.D. in.	Ordering Number	L	C	G	F
		1/4	SS-HTC-HF4	0.75 (19.1)	0.47 (11.9)
3/8	SS-HTC-HF6	1.13 (28.6)	0.61 (15.6)	0.81 (20.6)	1.00 (25.4)
9/16	SS-HTC-HF9	1.38 (34.9)	0.95 (24.1)	1.19 (30.2)	1.38 (34.9)

Unions



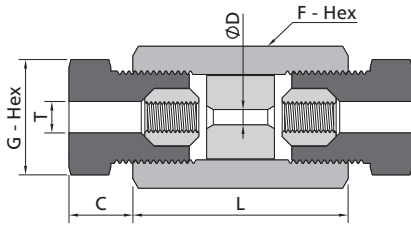
Tube		Dimensions, in. (mm)				
T - Tube O.D. in.	Ordering Number	L	C	D	G	F
		1/4	SS-HU-HF4	1.38 (34.9)	0.47 (11.9)	0.09 (2.3)
3/8	SS-HU-HF6	1.75 (44.5)	0.61 (15.6)	0.13 (3.3)	0.81 (20.6)	1.00 (25.4)
9/16	SS-HU-HF9	2.19 (55.6)	0.95 (24.1)	0.19 (4.8)	1.19 (30.2)	1.38 (34.9)

Reducing Unions



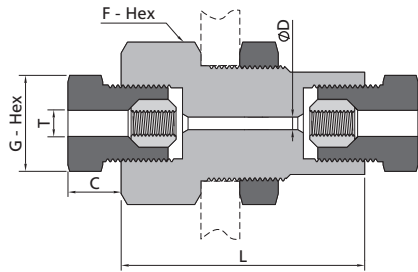
Tube			Dimensions, in. (mm)						
T - Tube O.D. in.	Tx - Tube O.D. in.	Ordering Number	L	C	Cx	D	G	Gx	F
3/8	1/4		SS-HU-HF6-HF4	1.63 (41.3)	0.61 (15.6)	0.47 (11.9)	0.09 (2.3)	0.81 (20.6)	0.63 (15.9)
9/16	1/4	SS-HU-HF9-HF4	1.75 (44.5)	0.95 (24.1)	0.47 (11.9)	0.09 (2.3)	1.19 (30.2)	0.63 (15.9)	1.38 (34.9)
9/16	3/8	SS-HU-HF9-HF6	2.00 (50.8)	0.95 (24.1)	0.61 (15.6)	0.13 (3.3)	1.19 (30.2)	0.81 (20.6)	1.38 (34.9)

Unions (Slip Type)



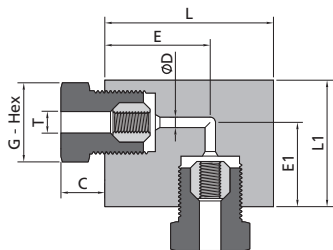
Tube		Dimensions, in. (mm)				
T - Tube O.D. in.	Ordering Number	L	C	D	G	F
1/4	SS-HSU-HF4	1.38 (34.9)	0.47 (11.9)	0.09 (2.3)	0.63 (15.9)	0.75 (19.1)
3/8	SS-HSU-HF6	1.75 (44.5)	0.61 (15.6)	0.13 (3.3)	0.81 (20.6)	1.00 (25.4)
9/16	SS-HSU-HF9	2.19 (55.6)	0.95 (24.1)	0.19 (4.8)	1.19 (30.2)	1.38 (34.9)

Bulkhead Unions



Tube		Dimensions, in. (mm)						
T - Tube O.D. in.	Ordering Number	L	C	D	G	F	Panel Hole Size	Max. Panel Thickness
1/4	SS-HBU-HF4	1.88 (47.8)	0.47 (11.9)	0.09 (2.3)	0.63 (15.9)	1.06 (27.0)	0.94 (23.9)	0.38 (9.7)
3/8	SS-HBU-HF6	2.38 (60.5)	0.61 (15.6)	0.13 (3.3)	0.81 (20.6)	1.38 (34.9)	1.13 (28.6)	0.38 (9.7)
9/16	SS-HBU-HF9	2.75 (69.9)	0.95 (24.1)	0.19 (4.8)	1.19 (30.2)	1.88 (47.6)	1.69 (42.9)	0.38 (9.7)

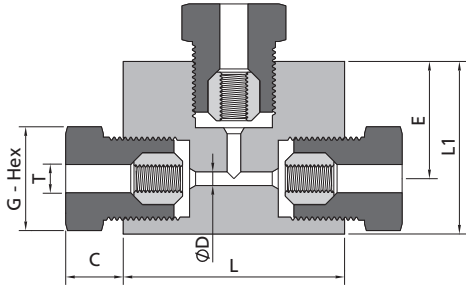
Union Elbows



Tube		Dimensions, in. (mm)							
T - Tube O.D. in.	Ordering Number	C	D	G	L	E	L1	E1	Thickness
1/4	SS-HLU-HF4	0.47 (11.9)	0.09 (2.3)	0.63 (15.9)	1.50 (38.1)	0.88 (22.4)	1.00 (25.4)	0.62 (15.7)	0.75 (19.1)
3/8	SS-HLU-HF6	0.61 (15.6)	0.13 (3.3)	0.81 (20.6)	2.00 (50.8)	1.25 (31.8)	1.50 (38.1)	1.00 (25.4)	1.00 (25.4)
9/16	SS-HLU-HF9	0.95 (24.1)	0.19 (4.8)	1.19 (30.2)	2.62 (66.5)	1.88 (47.8)	1.88 (47.8)	1.12 (28.4)	1.50 (38.1)

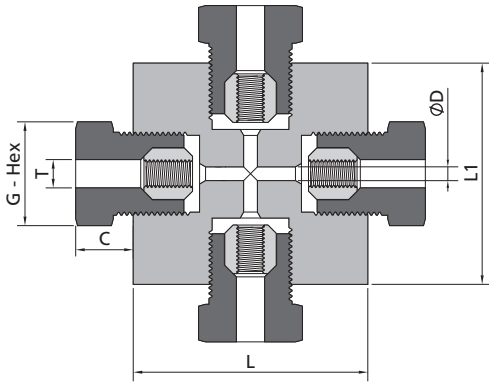
Fittings
Tubing
Quick Couplings
Line Filters
Valves
Sour Service Products
Subsea Valves
Tools and Installation Instructions
Technical Information
Part Number Crossover Charts

Union Tees



Tube		Dimensions, in. (mm)						
T - Tube O.D. in.	Ordering Number	C	D	G	L	L1	E	Thickness
1/4	SS-HT-HF4	0.47 (11.9)	0.09 (2.3)	0.63 (15.9)	2.00 (50.8)	1.25 (31.8)	0.88 (22.4)	0.75 (19.1)
3/8	SS-HT-HF6	0.61 (15.6)	0.13 (3.3)	0.81 (20.6)	2.00 (50.8)	1.56 (39.6)	1.06 (26.9)	1.00 (25.4)
9/16	SS-HT-HF9	0.95 (24.1)	0.19 (4.8)	1.19 (30.2)	2.62 (66.5)	2.12 (53.8)	1.38 (35.0)	1.50 (38.1)

Union Crosses



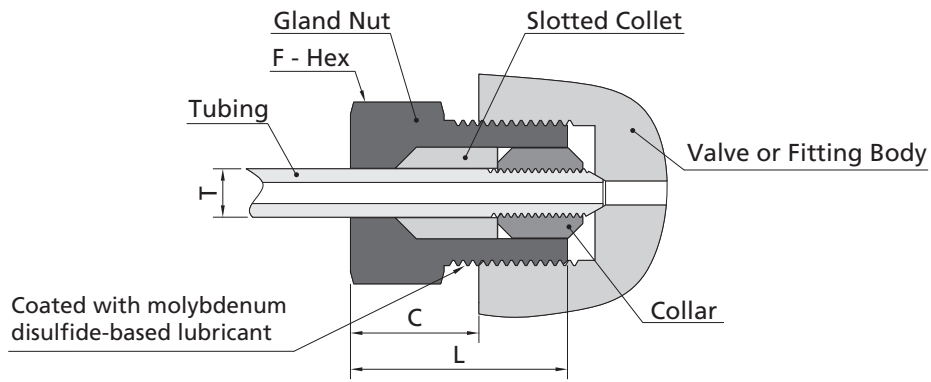
Tube		Dimensions, in. (mm)					
T - Tube O.D. in.	Ordering Number	C	D	G	L	L1	Thickness
1/4	SS-HX-HF4	0.47 (11.9)	0.09 (2.3)	0.63 (15.9)	2.00 (50.8)	1.25 (31.8)	0.75 (19.1)
3/8	SS-HX-HF6	0.61 (15.6)	0.13 (3.3)	0.81 (20.6)	2.00 (50.8)	2.12 (53.8)	1.00 (25.4)
9/16	SS-HX-HF9	0.95 (24.1)	0.19 (4.8)	1.19 (30.2)	2.62 (66.5)	2.75 (69.9)	1.50 (38.1)

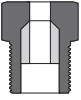
Anti-vibration Gland Assemblies

Working pressure: 60,000 psig (4137 bar)

Tubing systems may be subject to extreme vibration or shock. In such applications, these assemblies provide the same reliable connection as standard FITOK glands to essentially prolong vibrational fatigue life.

A complete ordering number for anti-vibration gland assembly (for example: SS-HAV-HF4) includes gland nut and slotted collet. to order components with anti-vibration gland assemblies, add "-AV" to ordering number.



Tube					
Anti-vibration Gland Assemblies	T - Tube O.D. in.	Ordering Number	Dimensions, in. (mm)		
			L	C	F
	1/4	SS-HAV-HF4	0.81 (20.6)	0.47 (11.9)	0.63 (15.9)
	3/8	SS-HAV-HF6	1.12 (28.4)	0.61 (15.6)	0.81 (20.6)
	9/16	SS-HAV-HF9	1.50 (38.1)	0.95 (24.1)	1.19 (30.2)

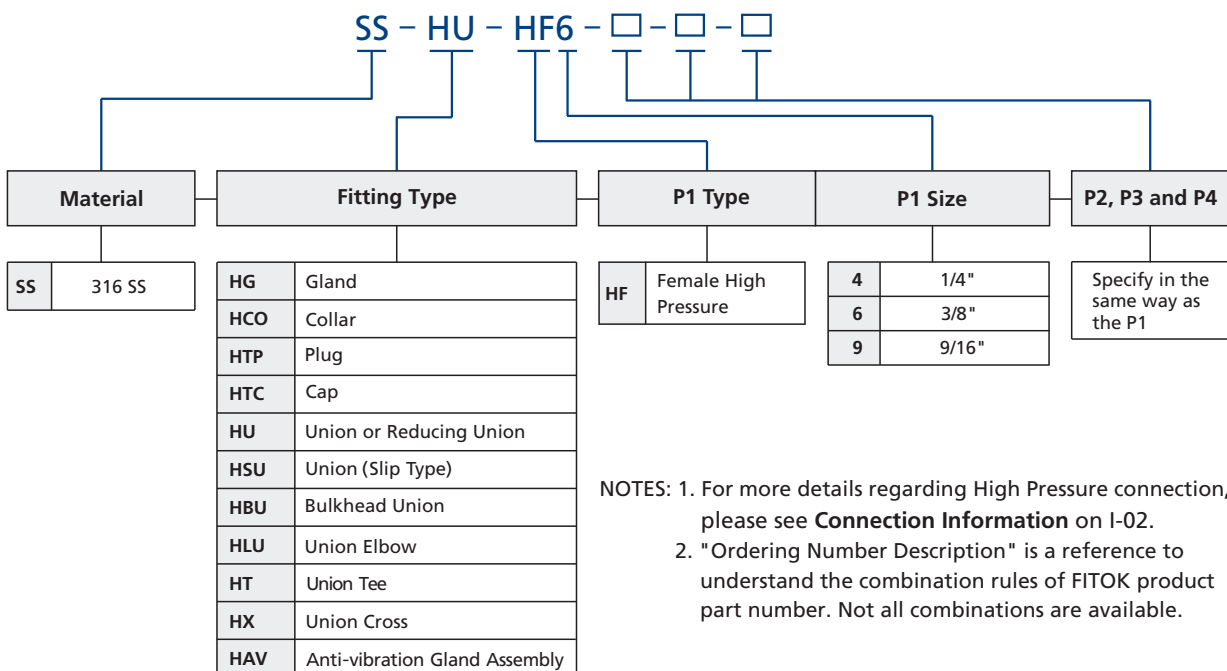
Installation Instructions

Please see H-07.

Connection Information

Please see I-02.

Ordering Number Description



Fittings
Tubing
Quick Couplings
Line Filters
Valves
Scour Service Products
Subsea Valves
Tools and Installation Instructions
Technical Information
Part Number Crossover Charts