

20M Series Medium Pressure Fittings

20,000 psig (1379 bar)



Fittings
Tubing
Quick Couplings
Line Filters
Valves
Sour Service Products
Subsea Valves
Part Number Crossover Charts

Contents

Fittings

Glands - MG



A-24

[Installation Instructions](#)

A-112

Collars - MCO



A-24

[Connection Information](#)

A-02

Tubing

Plugs - MTP



A-25

[Ordering Number Description](#)

A-29

Quick Couplings

Caps - MTC



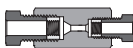
A-25

Unions - MU



A-25

Reducing Unions - MU



A-26

Line Filters

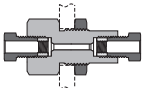
Unions (Slip Type) - MSU



A-26

Valves

Bulkhead Unions - MBU



A-27

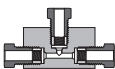
Union Elbows - MLU



A-27

Sour Service Products

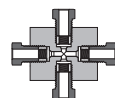
Union Tees - MT



A-28

Subsea Valves

Union Crosses - MX



A-28

Anti-vibration Gland Assemblies - MAV



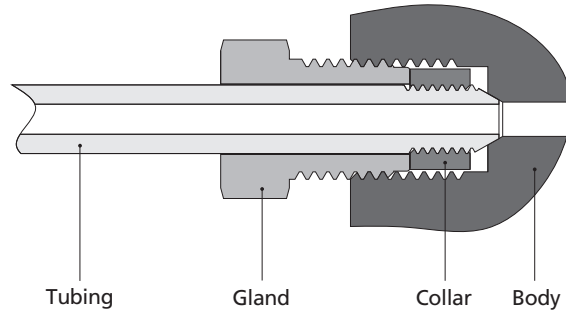
A-28

Part Number Crossover Charts

Features

- ⦿ Working pressure up to 20,000 psig (1379 bar)
- ⦿ Working temperature range: -423°F to 1200°F (-252°C to 649°C)
- ⦿ Use with T20M series tubing as standard, tubing sizes available in 1/4", 3/8", 9/16", 3/4", 1" and 1 1/2"
- ⦿ High tensile 316 stainless steel material
- ⦿ Every fitting marked with size, material and trace ID

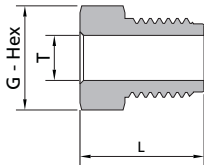
Construction



Ordering Information and Dimensions

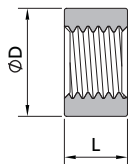
Dimensions are for reference only and are subject to change.

Glands



Tube			
T - Tube O.D. in.	Ordering Number	Dimensions, in. (mm)	
		G	L
1/4	SS-MG-MF4	0.50 (12.7)	0.58 (14.7)
3/8	SS-MG-MF6	0.63 (15.9)	0.73 (18.5)
9/16	SS-MG-MF9	0.94 (23.8)	0.88 (22.4)
3/4	SS-MG-MF12	1.19 (30.2)	1.00 (25.4)
1	SS-MG-MF16	1.38 (34.9)	1.38 (35.1)
1 1/2	SS-MG-MF24	1.87 (47.6)	2.00 (51.0)

Collars

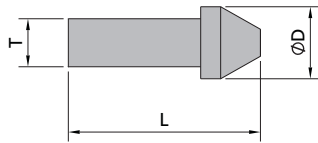


Tube			
T - Tube O.D. in.	Ordering Number	Dimensions, in. (mm)	
		D	L
1/4	SS-MCO-MF4	0.38 (9.7)	0.22 (5.6)
3/8	SS-MCO-MF6	0.47 (11.9)	0.25 (6.4)
9/16	SS-MCO-MF9	0.72 (18.3)	0.31 (7.9)
3/4	SS-MCO-MF12	0.94 (23.8)	0.37 (9.4)
1	SS-MCO-MF16	1.25 (31.8)	0.50 (12.7)
1 1/2	SS-MCO-MF24	1.75 (44.5)	0.48 (12.2)

Fittings
Tubing
Quick Couplings
Line Filters
Valves
Sour Service Products
Subsea Valves
Part Number Crossover Charts

A-25 20M Series Medium Pressure Fittings

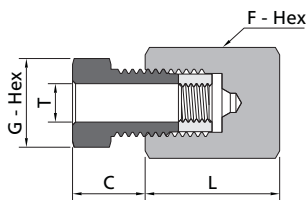
Plugs^①



Tube			
T - Tube O.D. in.	Ordering Number	Dimensions, in. (mm)	
		D	L
1/4	SS-MTP-MF4	0.38 (9.7)	0.94 (23.8)
3/8	SS-MTP-MF6	0.47 (11.9)	1.18 (30.0)
9/16	SS-MTP-MF9	0.72 (18.3)	1.40 (35.6)
3/4	SS-MTP-MF12	0.94 (23.8)	1.69 (42.9)
1	SS-MTP-MF16	1.25 (31.8)	2.20 (55.9)
1 1/2	SS-MTP-MF24	1.75 (44.5)	3.01 (76.5)

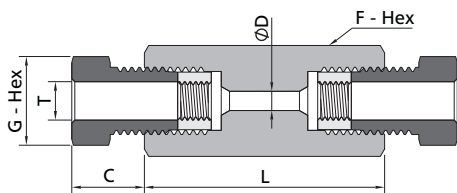
① When using plug, collar is not required.

Caps



Tube					
T - Tube O.D. in.	Ordering Number	Dimensions, in. (mm)			
		L	C	G	F
1/4	SS-MTC-MF4	0.81 (20.6)	0.38 (9.7)	0.50 (12.7)	0.63 (15.9)
3/8	SS-MTC-MF6	1.13 (28.6)	0.44 (11.2)	0.63 (15.9)	0.75 (19.1)
9/16	SS-MTC-MF9	1.38 (34.9)	0.55 (14.0)	0.94 (23.8)	1.00 (25.4)
3/4	SS-MTC-MF12	1.75 (44.5)	0.60 (15.2)	1.19 (30.2)	1.38 (34.9)
1	SS-MTC-MF16	2.25 (57.2)	0.74 (18.7)	1.38 (34.9)	1.75 (44.5)
1 1/2	SS-MTC-MF24	3.09 (78.5)	1.12 (28.5)	1.87 (47.6)	2.25 (57.2)

Unions



Tube						
T - Tube O.D. in.	Ordering Number	Dimensions, in. (mm)				
		L	C	D	G	F
1/4	SS-MU-MF4	1.62 (41.1)	0.38 (9.7)	0.11 (2.8)	0.50 (12.7)	0.63 (15.9)
3/8	SS-MU-MF6	1.75 (44.5)	0.44 (11.2)	0.20 (5.2)	0.63 (15.9)	0.75 (19.1)
9/16	SS-MU-MF9	2.14 (54.3)	0.55 (14.0)	0.31 (7.9)	0.94 (23.8)	1.00 (25.4)
3/4	SS-MU-MF12	2.50 (63.5)	0.60 (15.2)	0.44 (11.1)	1.19 (30.2)	1.38 (34.9)
1	SS-MU-MF16	3.50 (88.9)	0.74 (18.7)	0.56 (14.3)	1.38 (34.9)	1.75 (44.5)
1 1/2	SS-MU-MF24	5.00 (127.0)	1.12 (28.5)	0.94 (23.8)	1.87 (47.6)	2.25 (57.2)

Fittings

Tubing

Quick Couplings

Line Filters

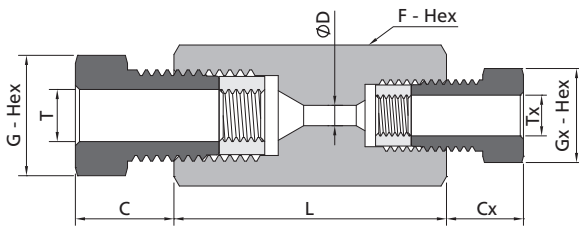
Valves

Sour Service Products

Subsea Valves

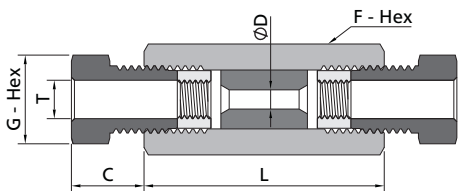
Part Number Crossover Charts

Reducing Unions



Tube			Dimensions, in. (mm)						
T - Tube O.D. in.	Tx - Tube O.D. in.	Ordering Number	L	C	Cx	D	G	Gx	F
3/8	1/4	SS-MU-MF6-MF4	1.75 (44.5)	0.44 (11.2)	0.38 (9.7)	0.11 (2.8)	0.63 (15.9)	0.50 (12.7)	0.75 (19.1)
9/16	1/4	SS-MU-MF9-MF4	2.00 (50.8)	0.55 (14.0)	0.38 (9.7)	0.11 (2.8)	0.94 (23.8)	0.50 (12.7)	1.00 (25.4)
9/16	3/8	SS-MU-MF9-MF6	2.00 (50.8)	0.55 (14.0)	0.44 (11.2)	0.20 (5.2)	0.94 (23.8)	0.63 (15.9)	1.00 (25.4)
3/4	1/4	SS-MU-MF12-MF4	2.25 (57.2)	0.60 (15.2)	0.38 (9.7)	0.11 (2.8)	1.19 (30.2)	0.50 (12.7)	1.38 (34.9)
3/4	3/8	SS-MU-MF12-MF6	2.25 (57.2)	0.60 (15.2)	0.44 (11.2)	0.20 (5.2)	1.19 (30.2)	0.63 (15.9)	1.38 (34.9)
3/4	9/16	SS-MU-MF12-MF9	2.50 (63.5)	0.60 (15.2)	0.55 (14.0)	0.31 (7.9)	1.19 (30.2)	0.94 (23.8)	1.38 (34.9)
1	1/4	SS-MU-MF16-MF4	2.75 (69.9)	0.74 (18.7)	0.38 (9.7)	0.11 (2.8)	1.38 (34.9)	0.50 (12.7)	1.75 (44.5)
1	3/8	SS-MU-MF16-MF6	2.88 (73.0)	0.74 (18.7)	0.44 (11.2)	0.20 (5.2)	1.38 (34.9)	0.63 (15.9)	1.75 (44.5)
1	9/16	SS-MU-MF16-MF9	3.00 (76.2)	0.74 (18.7)	0.55 (14.0)	0.31 (7.9)	1.38 (34.9)	0.94 (23.8)	1.75 (44.5)
1	3/4	SS-MU-MF16-MF12	3.00 (76.2)	0.74 (18.7)	0.60 (15.2)	0.44 (11.1)	1.38 (34.9)	1.19 (30.2)	1.75 (44.5)

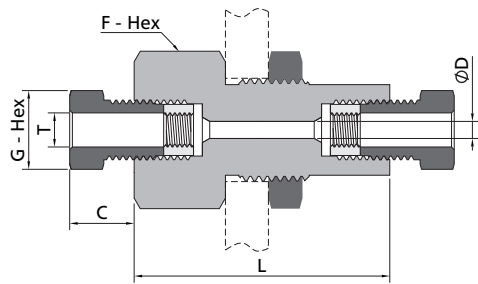
Unions (Slip Type)



Tube		Dimensions, in. (mm)				
T - Tube O.D. in.	Ordering Number	L	C	D	G	F
1/4	SS-MSU-MF4	1.62 (41.1)	0.38 (9.7)	0.11 (2.8)	0.50 (12.7)	0.63 (15.9)
3/8	SS-MSU-MF6	1.75 (44.5)	0.44 (11.2)	0.20 (5.2)	0.63 (15.9)	0.75 (19.1)
9/16	SS-MSU-MF9	2.14 (54.3)	0.55 (14.0)	0.31 (7.9)	0.94 (23.8)	1.00 (25.4)
3/4	SS-MSU-MF12	2.50 (63.5)	0.60 (15.2)	0.44 (11.1)	1.19 (30.2)	1.38 (34.9)
1	SS-MSU-MF16	3.50 (88.9)	0.74 (18.7)	0.56 (14.3)	1.38 (34.9)	1.75 (44.5)

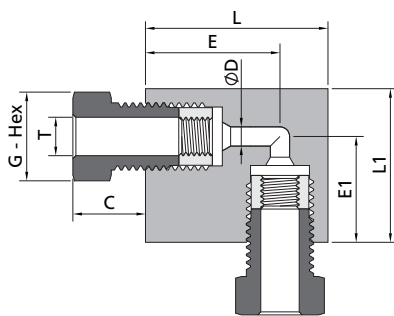
Fittings
Tubing
Quick Couplings
Line Filters
Valves
Sour Service Products
Subsea Valves
Part Number Crossover Charts

Bulkhead Unions



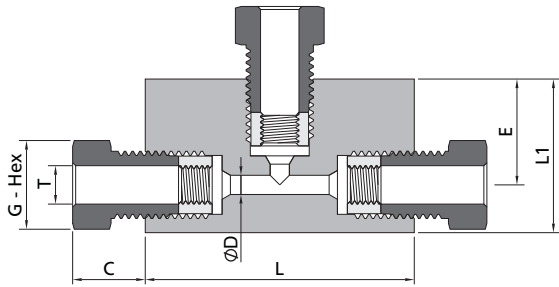
Tube		Dimensions, in. (mm)						
T - Tube O.D. in.	Ordering Number	L	C	D	G	F	Panel Hole Size	Max. Panel Thickness
1/4	SS-MBU-MF4	1.88 (47.8)	0.38 (9.7)	0.11 (2.8)	0.50 (12.7)	1.00 (25.4)	0.81 (20.6)	0.38 (9.7)
3/8	SS-MBU-MF6	2.00 (50.8)	0.44 (11.2)	0.20 (5.2)	0.63 (15.9)	1.06 (27.0)	0.94 (23.9)	0.38 (9.7)
9/16	SS-MBU-MF9	2.38 (60.5)	0.55 (14.0)	0.31 (7.9)	0.94 (23.8)	1.38 (34.9)	1.13 (28.6)	0.38 (9.7)
3/4	SS-MBU-MF12	2.62 (66.5)	0.60 (15.2)	0.44 (11.1)	1.19 (30.2)	1.88 (47.6)	1.69 (42.9)	0.38 (9.7)
1	SS-MBU-MF16	3.50 (88.9)	0.74 (18.7)	0.56 (14.3)	1.38 (34.9)	2.13 (54.0)	1.94 (49.3)	0.38 (9.7)

Union Elbows



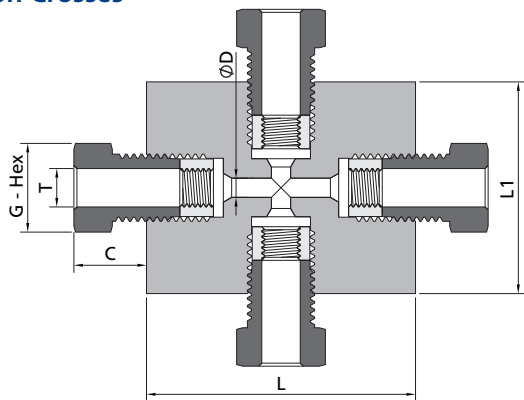
Tube		Dimensions, in. (mm)							
T - Tube O.D. in.	Ordering Number	C	D	G	L	E	L1	E1	Thickness
1/4	SS-MLU-MF4	0.38 (9.7)	0.11 (2.8)	0.50 (12.7)	1.12 (28.4)	0.75 (19.1)	1.12 (28.4)	0.75 (19.1)	0.63 (15.9)
3/8	SS-MLU-MF6	0.44 (11.2)	0.20 (5.2)	0.63 (15.9)	1.38 (34.9)	1.00 (25.4)	1.38 (34.9)	1.00 (25.4)	0.75 (19.1)
9/16	SS-MLU-MF9	0.55 (14.0)	0.31 (7.9)	0.94 (23.8)	1.75 (44.5)	1.25 (31.8)	1.75 (44.5)	1.25 (31.8)	1.00 (25.4)
3/4	SS-MLU-MF12	0.60 (15.2)	0.44 (11.1)	1.19 (30.2)	2.25 (57.2)	1.50 (38.1)	2.25 (57.2)	1.50 (38.1)	1.38 (34.9)
1	SS-MLU-MF16	0.74 (18.7)	0.56 (14.3)	1.38 (34.9)	3.00 (76.2)	2.06 (52.3)	3.00 (76.2)	2.06 (52.3)	1.75 (44.5)
1 1/2	SS-MLU-MF24	1.12 (28.5)	0.94 (23.8)	1.87 (47.6)	4.00 (101.6)	2.87 (73.0)	4.00 (101.6)	2.87 (73.0)	2.25 (57.2)

Union Tees



Tube		Dimensions, in. (mm)						
T - Tube O.D. in.	Ordering Number	C	D	G	L	L1	E	Thickness
1/4	SS-MT-MF4	0.38 (9.7)	0.11 (2.8)	0.50 (12.7)	1.50 (38.1)	1.12 (28.4)	0.75 (19.1)	0.63 (15.9)
3/8	SS-MT-MF6	0.44 (11.2)	0.20 (5.2)	0.63 (15.9)	2.00 (50.8)	1.38 (34.9)	1.00 (25.4)	0.75 (19.1)
9/16	SS-MT-MF9	0.55 (14.0)	0.31 (7.9)	0.94 (23.8)	2.50 (63.5)	1.75 (44.5)	1.25 (31.8)	1.00 (25.4)
3/4	SS-MT-MF12	0.60 (15.2)	0.44 (11.1)	1.19 (30.2)	3.00 (76.2)	2.25 (57.2)	1.50 (38.1)	1.38 (34.9)
1	SS-MT-MF16	0.74 (18.7)	0.56 (14.3)	1.38 (34.9)	4.12 (104.6)	3.00 (76.2)	2.06 (52.3)	1.75 (44.5)
1 1/2	SS-MT-MF24	1.12 (28.5)	0.94 (23.8)	1.87 (47.6)	5.75 (146.0)	4.00 (101.6)	2.87 (73.0)	2.25 (57.2)

Union Crosses



Tube		Dimensions, in. (mm)					
T - Tube O.D. in.	Ordering Number	C	D	G	L	L1	Thickness
1/4	SS-MX-MF4	0.38 (9.7)	0.11 (2.8)	0.50 (12.7)	1.50 (38.1)	1.50 (38.1)	0.63 (15.9)
3/8	SS-MX-MF6	0.44 (11.2)	0.20 (5.2)	0.63 (15.9)	2.00 (50.8)	2.00 (50.8)	0.75 (19.1)
9/16	SS-MX-MF9	0.55 (14.0)	0.31 (7.9)	0.94 (23.8)	2.50 (63.5)	2.50 (63.5)	1.00 (25.4)
3/4	SS-MX-MF12	0.60 (15.2)	0.44 (11.1)	1.19 (30.2)	3.00 (76.2)	3.00 (76.2)	1.38 (34.9)
1	SS-MX-MF16	0.74 (18.7)	0.56 (14.3)	1.38 (34.9)	4.12 (104.6)	4.12 (104.6)	1.75 (44.5)
1 1/2	SS-MX-MF24	1.12 (28.5)	0.94 (23.8)	1.87 (47.6)	5.57 (146.0)	5.57 (146.0)	2.25 (57.2)

Anti-Vibration Gland Assemblies

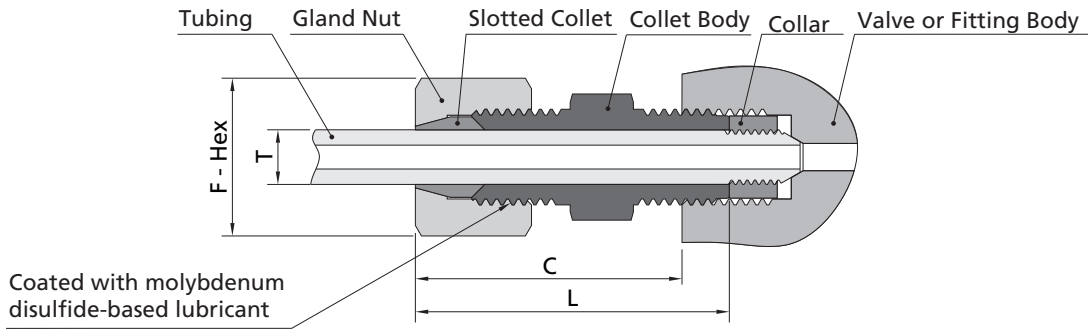
Working pressure: 20,000 psig (1379 bar)

Tubing systems may be subject to extreme vibration or shock. In such applications, these assemblies provide the same reliable connection as standard FITOK glands to essentially prolong vibrational fatigue life.

A complete ordering number for anti-vibration gland assembly (for example: SS-MAV-MF4) includes gland nut, slotted collet and collet body. These three parts can also be ordered separately, as shown in the tables below. To order components with anti-vibration gland assemblies, add "-AV" to ordering number.

Fittings
Tubing
Quick Couplings
Line Filters
Valves
Sour Service Products
Subsea Valves
Part Number Crossover Charts

A-29 20M Series Medium Pressure Fittings



Tube					
Anti-Vibration Gland Assemblies	T - Tube O.D. in.	Ordering Number	Dimensions, in. (mm)		
			L	C	F
	1/4	SS-MAV-MF4	1.24 (31.6)	1.05 (26.7)	0.63 (15.9)
	3/8	SS-MAV-MF6	1.50 (38.1)	1.22 (30.9)	0.81 (20.6)
	9/16	SS-MAV-MF9	1.78 (45.2)	1.42 (36.0)	0.94 (23.8)
	3/4	SS-MAV-MF12	2.00 (50.8)	1.61 (40.8)	1.38 (34.9)
	1	SS-MAV-MF16	2.38 (60.5)	1.74 (44.3)	1.50 (38.1)

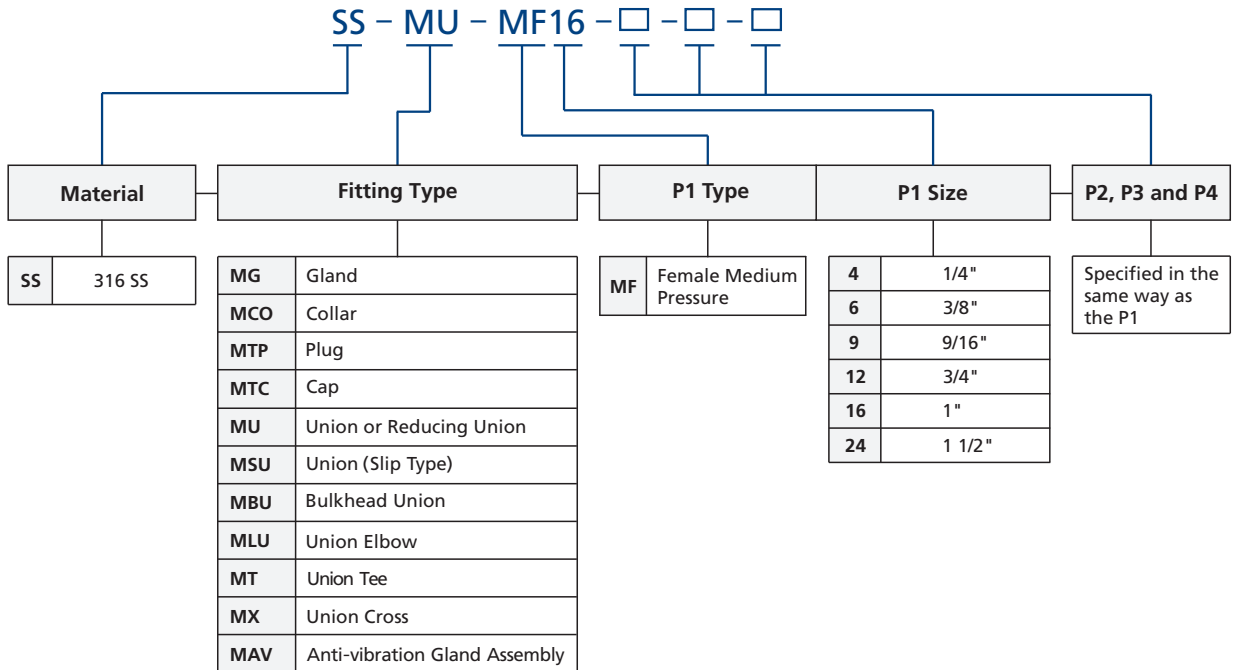
Installation Instructions

Please see A-112.

Connection Information

Please see A-02.

Ordering Number Description



- Notes: 1. For more details regarding Medium Pressure connection, please see **Connection Information** on A-02.
 2. "Ordering Number Description" is a reference to understand the combination rules of FITOK product part number. Not all combinations are available.