

Gauge Valves

GV, GVH, GR Series

2-valve, 3-valve and 5-valve Manifolds



FITOK
Valves and Fittings

www.fitokgroup.com

Contents

Gauge Valves

GV Series, GVH Series and GR Series



01

Gauge Valves

GV Series, GVH Series and GR Series

Features

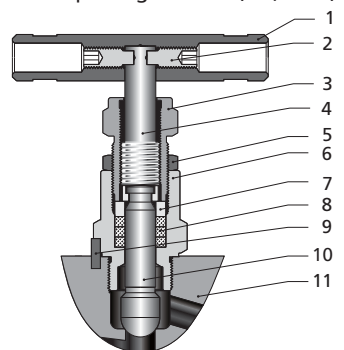
- ⦿ Working pressure up to:
 - Stainless steel: GV, GR up to 6000 psig (414 bar)
 - GVH up to 10000 psig (690 bar)
- ⦿ GV Series and GVH Series working temperature:
 - PTFE packing: -65°F to 450°F (-54°C to 232°C)
 - Graphite packing: -65°F to 1200°F (-54°C to 649°C)
- ⦿ GR Series working temperature:
 - Acetal seat: -20°F to 250°F (-28°C to 121°C)
 - PEEK seat: -20°F to 400°F (-28°C to 204°C)
- ⦿ Non-rotating lower stem, ball tip and plug tip designs
- ⦿ Variety of materials for seat and packing
- ⦿ Safety back seating seals in fully open position
- ⦿ Rolled spindle operating threads
- ⦿ Lubricant for stem thread isolated from the media
- ⦿ Externally adjustable gland
- ⦿ Bonnet locking pin fitted as standard
- ⦿ Low torque operating T bar handle
- ⦿ Option for different colored handles
- ⦿ Steady and durable fastening of the handle by double lock-pins
- ⦿ Each GV/GR Series gauge valve leak tested with nitrogen/air at the maximum working pressure, each GVH Series gauge valve leak tested with water at 1.1 times the maximum working pressure



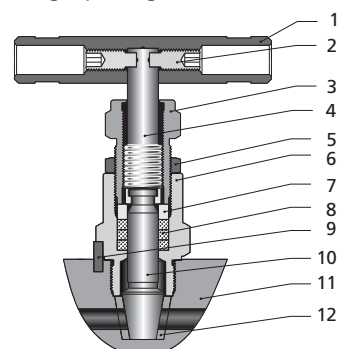
Standard Materials of Construction

Item	Part	Valve Body Material	
		316 SS	Material Grade/ASTM Specification
1	Handle	6061/B211	
2	Set Screw	Stainless steel	
3	Packing Bolt	304 SS/A479	
4	Upper Stem	316 SS/A479	
5	Lock Nut	Stainless steel	
6	Bonnet	316 SS/A479	
7	Gland	316 SS/A479	
8	Packing	PTFE or graphite	
9	Lock Pin	Stainless steel	
10	Lower Stem	Hardened 316 SS/A479	
11	Body	316 SS/A479 316 SS/A182	
12	Seat	Acetal or PEEK	
	Lubricant	Molybdenum disulfide-based	

Ball Tip Design Valves (GV, GVH)



Plug Tip Design Valves (GR)

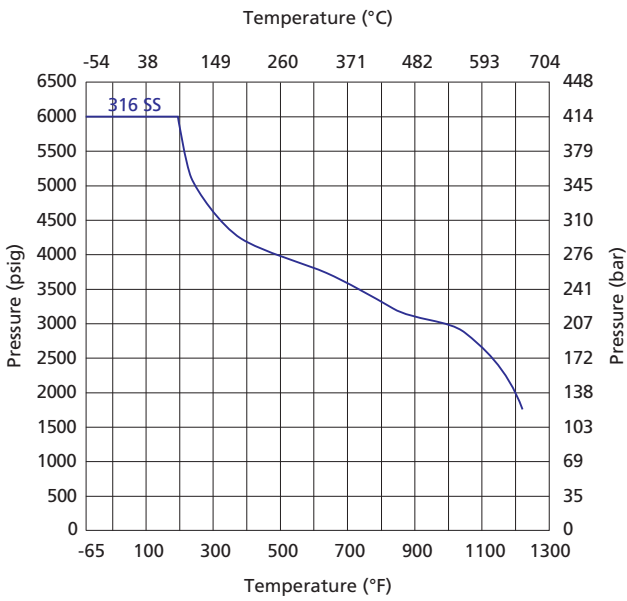


Process interface valves for sour gas service are available. Materials are selected in accordance with NACE MR0175/ISO 15156. Contact FITOK Group or our authorized distributors if any request.

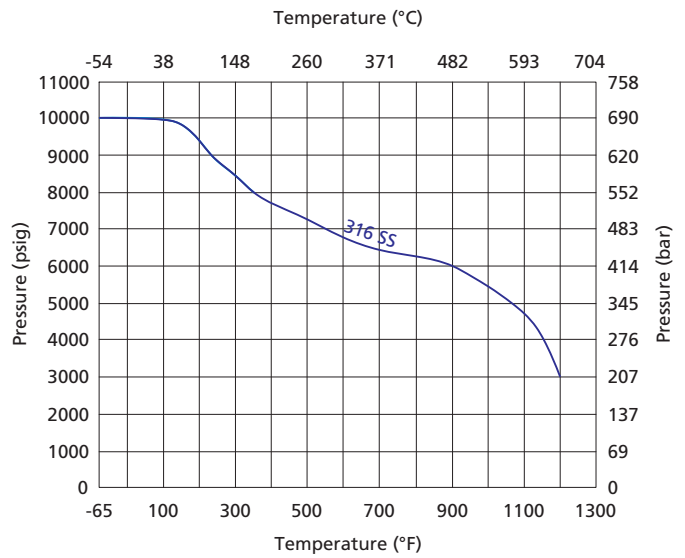
2 Gauge Valves

Pressure vs. Temperature

GV Series Ball Tip Design Guage Valves

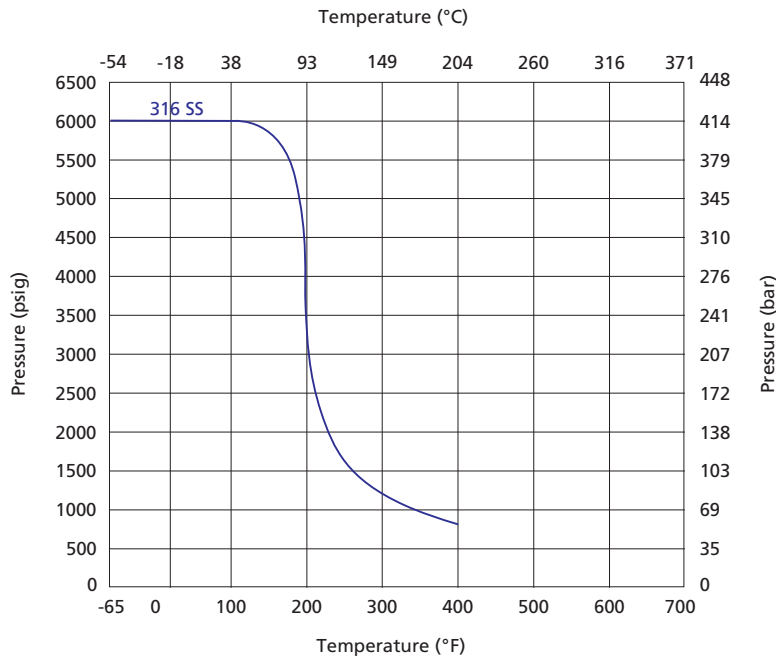


GVH Series Ball Tip Design Guage Valves



Based on graphite packing.

GR Series Plug Tip Design Guage Valves

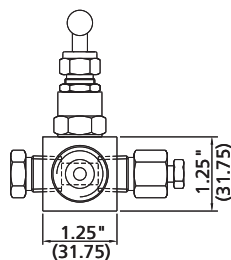
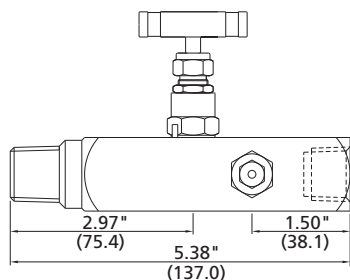
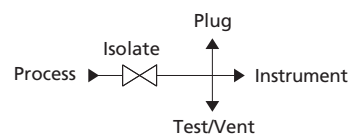


1. For manifolds of Acetal seat, the maximum medium temperature is 250°F (121°C), not recommended for temperature higher than 200°F (93°C) for water and steam application.
2. Based on PEEK seat and PTFE packing.

Types and Dimensions

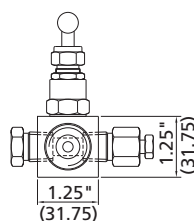
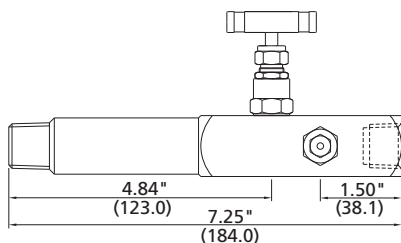
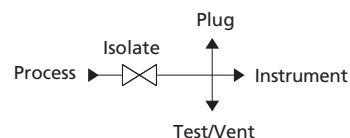
Standard Type

Basic Ordering Number	Design	Inlet/Process	Outlet/Instrument	Test/Vent/Plug
GV□□-NS8-FNS8	Ball Tip	1/2 Male NPT	1/2 Female NPT	1/2 Female NPT
GVH□□-NS8-FNS8				
GR□□-NS8-FNS8	Plug Tip			
GV□□-NS12-FNS8	Ball Tip	3/4 Male NPT	1/2 Female NPT	1/2 Female NPT
GVH□□-NS12-FNS8				
GR□□-NS12-FNS8	Plug Tip			



Lagging Extension Body Type

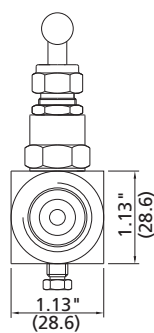
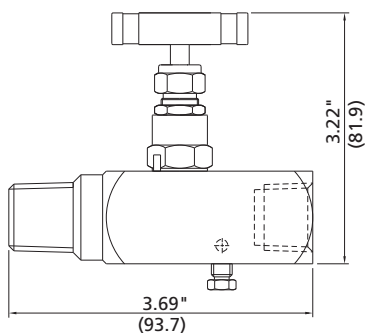
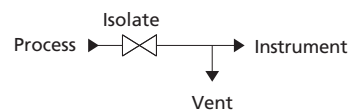
Basic Ordering Number	Inlet/Process	Outlet/Instrument	Test/Vent/Plug
GV□□-NS8-FNS8-E	1/2 Male NPT	1/2 Female NPT	1/2 Female NPT
GVH□□-NS8-FNS8-E			
GR□□-NS8-FNS8-E			



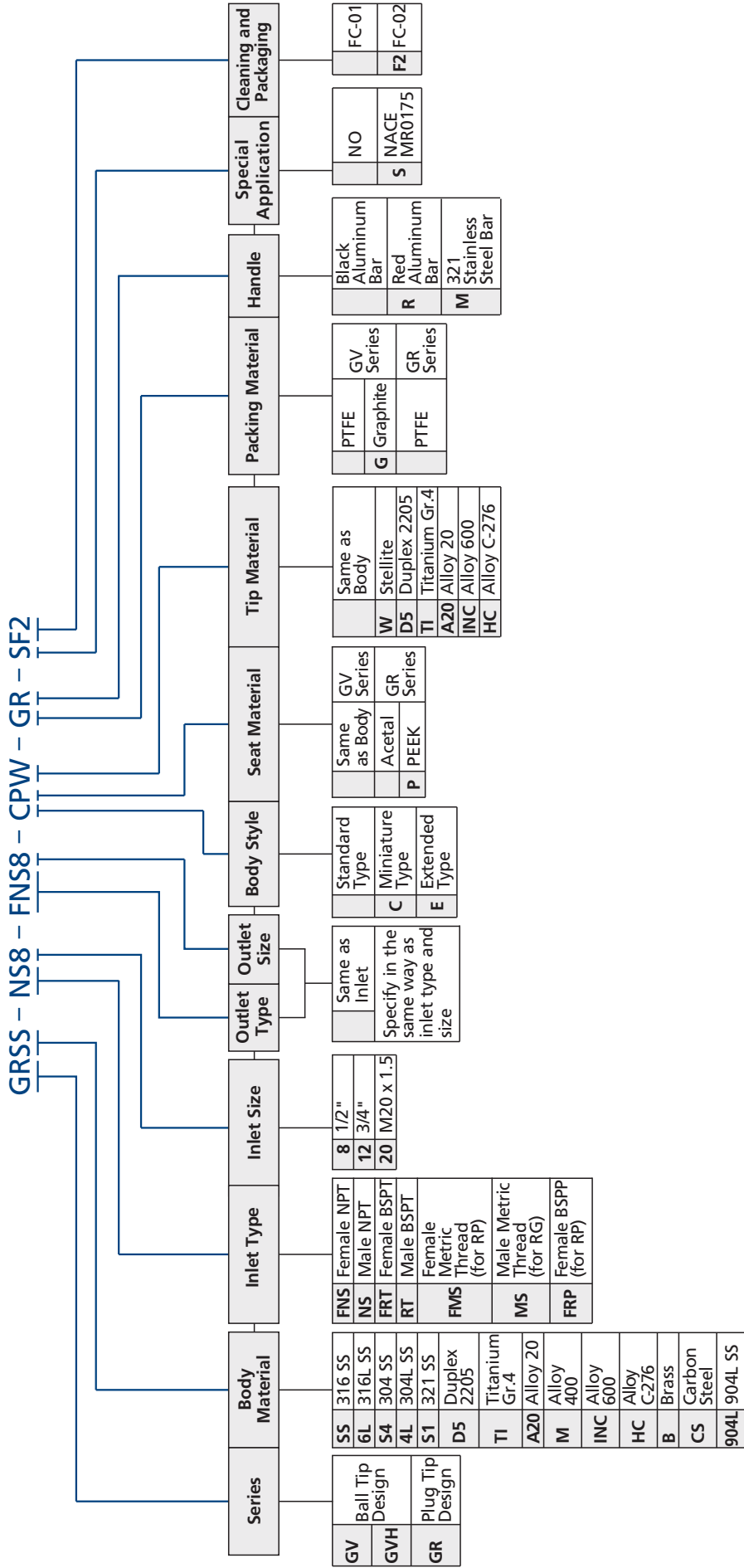
Lagging extension body is inserted through pipe for insulation.

Miniature Type

Basic Ordering Number	Inlet/Process	Outlet/Instrument	Vent
GV□□-NS8-FNS8-C	1/2 Male NPT	1/2 Female NPT	Vent stem
GVH□□-NS8-FNS8-C			
GR□□-NS8-FNS8-C			



Ordering Number Description



Note: "Ordering Number Description" is a reference to understand the combination rules of FITOK product part number. Not all combinations are available.

Cleaning and Packaging:

FC-01: Standard cleaning and packaging for general industrial procedures.

FC-02: Special cleaning and packaging for wetted system components to ensure compliance with product cleanliness requirement as stated in ASTM G93 Level C.

FITOK Group

FITOK GmbH (Headquarter)

Sprendlinger Landstr. 115, 63069 Offenbach am Main, Germany
Tel.: +49 69 8900 4498 Fax: +49 69 8900 4495

FITOK, Inc.

13843 North Promenade Blvd., Suite 750, Stafford, Texas 77477, USA
Tel.: +1 281 888 0077 Fax: +1 281 582 4051

FITOK Incorporated

Block C, Zone E, Yingtai Industrial Park, Dalang Street,
Longhua New District, Shenzhen, 518109, China
Tel.: +86 755 2803 2500 Fax: +86 755 2803 2619

FITOK Middle East Oil Equipment Trading LLC

208-209, Makateb Building, Airport Road, P.O.Box 185412, Deira, Dubai, UAE
Tel.: +971 4 2959 853 Fax: +971 4 2959 854

info@fitokgroup.com
www.fitokgroup.com

FK-IC-GV-12-EN-170505