

# Pipe Fittings

Medium & High Pressure  
Fittings and Tubing

Quick Couplings

Medium & High Pressure  
Valves

Line Filters

Sour Service Products

Subsea Valves

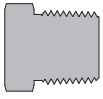
Tools and Installation  
Instructions

Technical Information



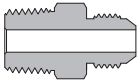
# Contents

## Pipe Plugs - HPP



A-38

## Hex Nipples - HPHN



A-39

## Hex Long Nipples - HPLN



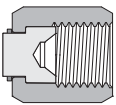
A-45

## Pipe Caps - HPC



A-46

## Pipe Cap Assemblies(Moveable Insert)-HMC



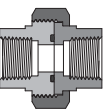
A-47

## Hex Couplings - HPCG



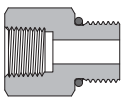
A-48

## Zero-Clearance Unions - HPZC



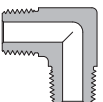
A-51

## Adapters - HPA



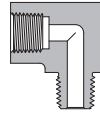
A-52

## Male Elbows - HPME



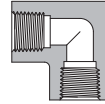
A-58

## Street Elbows - HPSE



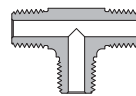
A-59

## Female Elbows - HPE



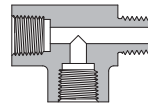
A-61

## Male Tees - HPMT



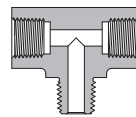
A-61

## Male Street Tees - HPST



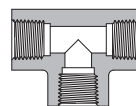
A-62

## Male Branch Tees - HPBT



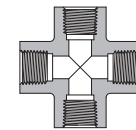
A-63

## Female Tees - HPT



A-63

## Female Crosses - HPCR



A-64

## Ordering Number Description

A-65

## Features

- ⦿ High tensile 316 Stainless Steel as standard material, other materials available upon request
- ⦿ The hardened threads with smooth surface finishing avoid galling and help to extend the fitting service life
- ⦿ Radius junction design for elbows provides smooth flow path
- ⦿ Every fitting marked with size, material and heat number

## Thread Specifications

Connection Type	Code	Thread Type	Thread Specification
Male or Female NPT	NS	NPT	ASME B1.20.1, SAE AS71051
Male or Female ISO/BSP Tapered	RT	ISO/BSP Tapered	ISO 7-1, BS EN 10226-1, DIN EN 10226-1, JIS B0203
Heavy-Duty Stud Ends (SAE J1926-2, ISO 11926-2)	SH	SAE/MS	ASME B1.1
Ports with O-ring Seal in Truncated Housing (SAE J1926-1, ISO 11926-1)	US		
Male or Female JIC (37° Flare)	AN		
Female Swivel JIC (37° Flare)	AS		
Male Type "M"	HM		

## Working Pressure

The working pressures of pipe fittings are shown in the "Ordering Information and Dimensions".

## Working Temperature

Connection Type	Working Temperature Range
Male or Female NPT	-325°F to 400°F (-198°C to 204°C)
Male or Female ISO/BSP Tapered	-325°F to 400°F (-198°C to 204°C)
Heavy-Duty Stud Ends (SAE J1926-2, ISO 11926-2)	0°F to 400°F (-17.8°C to 204°C) <sup>①</sup>
Ports with O-ring Seal in Truncated Housing (SAE J1926-1, ISO 11926-1)	-50°F to 550°F (-45°C to 288°C)
Male or Female JIC (37° Flare)	-423°F to 1200°F (-252°C to 649°C)
Female Swivel JIC (37° Flare)	-423°F to 1200°F (-252°C to 649°C)
Male Type "M"	-423°F to 1200°F (-252°C to 649°C)

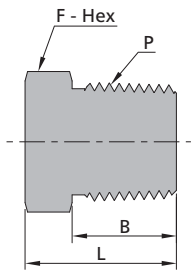
<sup>①</sup> The ends are supplied with a Fluorocarbon FKM O-ring as standard, other materials of O-rings available.

## Cautions:

- ⦿ Do not loosen or tighten fittings when the system is pressurized.
- ⦿ Always use proper thread sealants on tapered pipe threads.

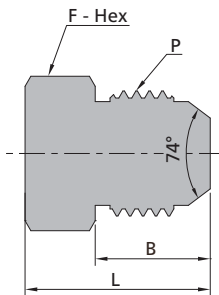
## Ordering Information and Dimensions

### Pipe Plugs

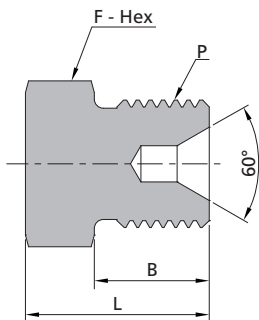


Male NPT Threads						
P-NPT Size, in.	Ordering Number	Dimensions, in. (mm)			Working Pressure psig (bar)	
		L	F	B		
1/8	SS-HPP-NS2	0.63 (16.0)	0.44 (11.1)	0.38 (9.7)	15000 (1034)	
1/4	SS-HPP-NS4	0.87 (22.2)	0.56 (14.3)	0.56 (14.2)	15000 (1034)	
3/8	SS-HPP-NS6	0.93 (23.6)	0.69 (17.5)	0.56 (14.2)	15000 (1034)	
1/2	SS-HPP-NS8	1.16 (29.5)	0.87 (22.2)	0.75 (19.1)	15000 (1034)	
3/4	SS-HPP-NS12	1.25 (31.8)	1.06 (27.0)	0.75 (19.1)	10000 (690)	
1	SS-HPP-NS16	1.55 (39.3)	1.37 (34.9)	0.94 (23.9)	10000 (690)	

Male ISO/BSP Tapered Threads						
P-ISO/BSP Tapered Size, in.	Ordering Number	Dimensions, in. (mm)			Working Pressure psig (bar)	
		L	F	B		
1/8	SS-HPP-RT2	0.63 (16.0)	0.44 (11.1)	0.38 (9.7)	15000 (1034)	
1/4	SS-HPP-RT4	0.87 (22.2)	0.56 (14.3)	0.56 (14.2)	15000 (1034)	
3/8	SS-HPP-RT6	0.93 (23.6)	0.69 (17.5)	0.56 (14.2)	15000 (1034)	
1/2	SS-HPP-RT8	1.16 (29.5)	0.87 (22.2)	0.75 (19.1)	15000 (1034)	
3/4	SS-HPP-RT12	1.25 (31.8)	1.06 (27.0)	0.75 (19.1)	10000 (690)	
1	SS-HPP-RT16	1.55 (39.3)	1.37 (34.9)	0.94 (23.9)	10000 (690)	

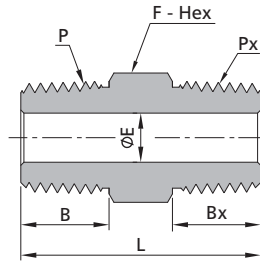


Male JIC						
P-SAE/MS Thread Size, in.	Ordering Number	Dimensions, in. (mm)			Working Pressure psig (bar)	
		L	F	B		
7/16-20	SS-HPP-AN4	0.83 (21.0)	0.50 (12.7)	0.55 (14.0)	20000 (1379)	
9/16-18	SS-HPP-AN6	0.89 (22.7)	0.63 (15.9)	0.56 (14.1)	20000 (1379)	
3/4-16	SS-HPP-AN8	1.05 (26.7)	0.81 (20.6)	0.66 (16.7)	20000 (1379)	
7/8-14	SS-HPP-AN10	1.19 (30.3)	0.94 (23.8)	0.76 (19.3)	20000 (1379)	
1 1/16-12	SS-HPP-AN12	1.37 (34.9)	1.13 (28.6)	0.86 (21.9)	15000 (1034)	
1 5/16-12	SS-HPP-AN16	1.51 (38.3)	1.37 (34.9)	0.91 (23.1)	15000 (1034)	



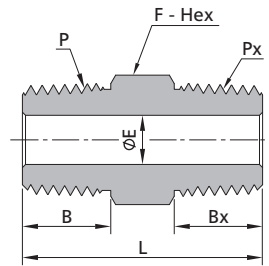
Male Type "M"						
P-SAE/MS Thread Size, in.	Ordering Number	Dimensions, in. (mm)			Working Pressure psig (bar)	
		L	F	B		
9/16-18	SS-HPP-HM9	0.84 (21.3)	0.63 (15.9)	0.50 (12.7)	60000 (4137)	
3/4-16	SS-HPP-HM12	1.01 (25.6)	0.75 (19.1)	0.63 (16.0)	30000 (2068)	
7/8-14	SS-HPP-HM14	1.21 (30.8)	1.00 (25.4)	0.76 (19.2)	50000 (3447)	
1-12	SS-HPP-HM16	1.10 (27.9)	1.00 (25.4)	0.64 (16.3)	30000 (2068)	
1 5/16-12	SS-HPP-HM21	1.22 (30.9)	1.37 (34.9)	0.62 (15.7)	20000 (1379)	

Hex Nipples



Male NPT Threads								
P-NPT Size, in.	Px-NPT Size, in.	Ordering Number	Dimensions, in. (mm)					Working Pressure psig (bar)
			L	F	B	Bx	E	
1/8	1/8	SS-HPHN-NS2	1.05 (26.6)	0.44 (11.1)	0.38 (9.7)	0.38 (9.7)	0.19 (4.8)	15000 (1034)
1/4	1/8	SS-HPHN-NS4-NS2	1.30 (32.9)	0.56 (14.3)	0.56 (14.2)	0.38 (9.7)	0.19 (4.8)	15000 (1034)
1/4	1/4	SS-HPHN-NS4	1.47 (37.4)	0.56 (14.3)	0.56 (14.2)	0.56 (14.2)	0.25 (6.4)	15000 (1034)
3/8	1/8	SS-HPHN-NS6-NS2	1.34 (34.1)	0.69 (17.5)	0.56 (14.2)	0.38 (9.7)	0.19 (4.8)	15000 (1034)
3/8	1/4	SS-HPHN-NS6-NS4	1.52 (38.6)	0.69 (17.5)	0.56 (14.2)	0.56 (14.2)	0.25 (6.4)	15000 (1034)
3/8	3/8	SS-HPHN-NS6	1.52 (38.6)	0.69 (17.5)	0.56 (14.2)	0.56 (14.2)	0.31 (7.9)	15000 (1034)
1/2	1/8	SS-HPHN-NS8-NS2	1.58 (40.2)	0.87 (22.2)	0.75 (19.1)	0.38 (9.7)	0.19 (4.8)	15000 (1034)
1/2	1/4	SS-HPHN-NS8-NS4	1.76 (44.7)	0.87 (22.2)	0.75 (19.1)	0.56 (14.2)	0.25 (6.4)	15000 (1034)
1/2	3/8	SS-HPHN-NS8-NS6	1.76 (44.7)	0.87 (22.2)	0.75 (19.1)	0.56 (14.2)	0.31 (7.9)	15000 (1034)
1/2	1/2	SS-HPHN-NS8	1.95 (49.6)	0.87 (22.2)	0.75 (19.1)	0.75 (19.1)	0.38 (9.6)	15000 (1034)
3/4	1/8	SS-HPHN-NS12-NS2	1.67 (42.4)	1.06 (27.0)	0.75 (19.1)	0.38 (9.7)	0.22 (5.5)	10000 (690)
3/4	1/4	SS-HPHN-NS12-NS4	1.85 (46.9)	1.06 (27.0)	0.75 (19.1)	0.56 (14.2)	0.28 (7.1)	10000 (690)
3/4	3/8	SS-HPHN-NS12-NS6	1.85 (46.9)	1.06 (27.0)	0.75 (19.1)	0.56 (14.2)	0.38 (9.6)	10000 (690)
3/4	1/2	SS-HPHN-NS12-NS8	2.04 (51.8)	1.06 (27.0)	0.75 (19.1)	0.75 (19.1)	0.47 (11.9)	10000 (690)
3/4	3/4	SS-HPHN-NS12	2.04 (51.8)	1.06 (27.0)	0.75 (19.1)	0.75 (19.1)	0.58 (14.8)	10000 (690)
1	1/8	SS-HPHN-NS16-NS2	1.96 (49.8)	1.37 (34.9)	0.94 (23.9)	0.38 (9.7)	0.22 (5.5)	10000 (690)
1	1/4	SS-HPHN-NS16-NS4	2.14 (54.3)	1.37 (34.9)	0.94 (23.9)	0.56 (14.2)	0.28 (7.1)	10000 (690)
1	3/8	SS-HPHN-NS16-NS6	2.14 (54.3)	1.37 (34.9)	0.94 (23.9)	0.56 (14.2)	0.38 (9.6)	10000 (690)
1	1/2	SS-HPHN-NS16-NS8	2.33 (59.2)	1.37 (34.9)	0.94 (23.9)	0.75 (19.1)	0.47 (11.9)	10000 (690)
1	3/4	SS-HPHN-NS16-NS12	2.33 (59.2)	1.37 (34.9)	0.94 (23.9)	0.75 (19.1)	0.58 (14.8)	10000 (690)
1	1	SS-HPHN-NS16	2.52 (64.0)	1.37 (34.9)	0.94 (23.9)	0.94 (23.9)	0.79 (20.0)	10000 (690)

## Hex Nipples



Male NPT Threads			Male ISO/BSP Tapered Threads					
P-NPT Size, in.	Px-ISO/BSP Tapered Size, in.	Ordering Number	Dimensions, in. (mm)					Working Pressure psig (bar)
			L	F	B	Bx	E	
1/8	1/8	SS-HPHN-NS2-RT2	1.05 (26.6)	0.44 (11.1)	0.38 (9.7)	0.38 (9.7)	0.19 (4.8)	15000 (1034)
1/4	1/8	SS-HPHN-NS4-RT2	1.30 (32.9)	0.56 (14.3)	0.56 (14.2)	0.38 (9.7)	0.19 (4.8)	15000 (1034)
1/4	1/4	SS-HPHN-NS4-RT4	1.47 (37.4)	0.56 (14.3)	0.56 (14.2)	0.56 (14.2)	0.25 (6.4)	15000 (1034)
3/8	1/8	SS-HPHN-NS6-RT2	1.34 (34.1)	0.69 (17.5)	0.56 (14.2)	0.38 (9.7)	0.19 (4.8)	15000 (1034)
3/8	1/4	SS-HPHN-NS6-RT4	1.52 (38.6)	0.69 (17.5)	0.56 (14.2)	0.56 (14.2)	0.25 (6.4)	15000 (1034)
3/8	3/8	SS-HPHN-NS6-RT6	1.52 (38.6)	0.69 (17.5)	0.56 (14.2)	0.56 (14.2)	0.31 (7.9)	15000 (1034)
1/2	1/8	SS-HPHN-NS8-RT2	1.58 (40.2)	0.87 (22.2)	0.75 (19.1)	0.38 (9.7)	0.19 (4.8)	15000 (1034)
1/2	1/4	SS-HPHN-NS8-RT4	1.76 (44.7)	0.87 (22.2)	0.75 (19.1)	0.56 (14.2)	0.25 (6.4)	15000 (1034)
1/2	3/8	SS-HPHN-NS8-RT6	1.76 (44.7)	0.87 (22.2)	0.75 (19.1)	0.56 (14.2)	0.31 (7.9)	15000 (1034)
1/2	1/2	SS-HPHN-NS8-RT8	1.95 (49.6)	0.87 (22.2)	0.75 (19.1)	0.75 (19.1)	0.38 (9.6)	15000 (1034)
3/4	1/8	SS-HPHN-NS12-RT2	1.67 (42.4)	1.06 (27.0)	0.75 (19.1)	0.38 (9.7)	0.22 (5.5)	10000 (690)
3/4	1/4	SS-HPHN-NS12-RT4	1.85 (46.9)	1.06 (27.0)	0.75 (19.1)	0.56 (14.2)	0.28 (7.1)	10000 (690)
3/4	3/8	SS-HPHN-NS12-RT6	1.85 (46.9)	1.06 (27.0)	0.75 (19.1)	0.56 (14.2)	0.38 (9.6)	10000 (690)
3/4	1/2	SS-HPHN-NS12-RT8	2.04 (51.8)	1.06 (27.0)	0.75 (19.1)	0.75 (19.1)	0.47 (11.9)	10000 (690)
3/4	3/4	SS-HPHN-NS12-RT12	2.04 (51.8)	1.06 (27.0)	0.75 (19.1)	0.75 (19.1)	0.58 (14.8)	10000 (690)
1	1/8	SS-HPHN-NS16-RT2	1.96 (49.8)	1.37 (34.9)	0.94 (23.9)	0.38 (9.7)	0.22 (5.5)	10000 (690)
1	1/4	SS-HPHN-NS16-RT4	2.14 (54.3)	1.37 (34.9)	0.94 (23.9)	0.56 (14.2)	0.28 (7.1)	10000 (690)
1	3/8	SS-HPHN-NS16-RT6	2.14 (54.3)	1.37 (34.9)	0.94 (23.9)	0.56 (14.2)	0.38 (9.6)	10000 (690)
1	1/2	SS-HPHN-NS16-RT8	2.33 (59.2)	1.37 (34.9)	0.94 (23.9)	0.75 (19.1)	0.47 (11.9)	10000 (690)
1	3/4	SS-HPHN-NS16-RT12	2.33 (59.2)	1.37 (34.9)	0.94 (23.9)	0.75 (19.1)	0.58 (14.8)	10000 (690)
1	1	SS-HPHN-NS16-RT16	2.52 (64.0)	1.37 (34.9)	0.94 (23.9)	0.94 (23.9)	0.79 (20.0)	10000 (690)

Medium &amp; High Pressure Fittings and Tubing

Quick Couplings

Medium &amp; High Pressure Valves

Line Filters

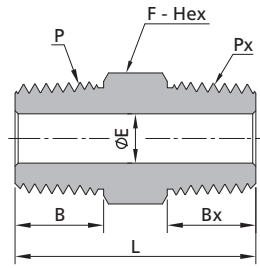
Sour Service Products

Subsea Valves

Tools and Installation Instructions

Technical Information

Hex Nipples



Male ISO/BSP Tapered Threads									
P-ISO/BSP Tapered Size, in.	Px-ISO/BSP Tapered Size, in.	Ordering Number	Dimensions, in. (mm)					Working Pressure psig (bar)	
			L	F	B	Bx	E		
1/8	1/8	SS-HPHN-RT2	1.05 (26.6)	0.44 (11.1)	0.38 (9.7)	0.38 (9.7)	0.19 (4.8)	15000 (1034)	
1/4	1/8	SS-HPHN-RT4-RT2	1.30 (32.9)	0.56 (14.3)	0.56 (14.2)	0.38 (9.7)	0.19 (4.8)	15000 (1034)	
1/4	1/4	SS-HPHN-RT4	1.47 (37.4)	0.56 (14.3)	0.56 (14.2)	0.56 (14.2)	0.25 (6.4)	15000 (1034)	
3/8	1/8	SS-HPHN-RT6-RT2	1.34 (34.1)	0.69 (17.5)	0.56 (14.2)	0.38 (9.7)	0.19 (4.8)	15000 (1034)	
3/8	1/4	SS-HPHN-RT6-RT4	1.52 (38.6)	0.69 (17.5)	0.56 (14.2)	0.56 (14.2)	0.25 (6.4)	15000 (1034)	
3/8	3/8	SS-HPHN-RT6	1.52 (38.6)	0.69 (17.5)	0.56 (14.2)	0.56 (14.2)	0.31 (7.9)	15000 (1034)	
1/2	1/8	SS-HPHN-RT8-RT2	1.58 (40.2)	0.87 (22.2)	0.75 (19.1)	0.38 (9.7)	0.19 (4.8)	15000 (1034)	
1/2	1/4	SS-HPHN-RT8-RT4	1.76 (44.7)	0.87 (22.2)	0.75 (19.1)	0.56 (14.2)	0.25 (6.4)	15000 (1034)	
1/2	3/8	SS-HPHN-RT8-RT6	1.76 (44.7)	0.87 (22.2)	0.75 (19.1)	0.56 (14.2)	0.31 (7.9)	15000 (1034)	
1/2	1/2	SS-HPHN-RT8	1.95 (49.6)	0.87 (22.2)	0.75 (19.1)	0.75 (19.1)	0.38 (9.6)	15000 (1034)	
3/4	1/8	SS-HPHN-RT12-RT2	1.67 (42.4)	1.06 (27.0)	0.75 (19.1)	0.38 (9.7)	0.22 (5.5)	10000 (690)	
3/4	1/4	SS-HPHN-RT12-RT4	1.85 (46.9)	1.06 (27.0)	0.75 (19.1)	0.56 (14.2)	0.28 (7.1)	10000 (690)	
3/4	3/8	SS-HPHN-RT12-RT6	1.85 (46.9)	1.06 (27.0)	0.75 (19.1)	0.56 (14.2)	0.38 (9.6)	10000 (690)	
3/4	1/2	SS-HPHN-RT12-RT8	2.04 (51.8)	1.06 (27.0)	0.75 (19.1)	0.75 (19.1)	0.47 (11.9)	10000 (690)	
3/4	3/4	SS-HPHN-RT12	2.04 (51.8)	1.06 (27.0)	0.75 (19.1)	0.75 (19.1)	0.58 (14.8)	10000 (690)	
1	1/8	SS-HPHN-RT16-RT2	1.96 (49.8)	1.37 (34.9)	0.94 (23.9)	0.38 (9.7)	0.22 (5.5)	10000 (690)	
1	1/4	SS-HPHN-RT16-RT4	2.14 (54.3)	1.37 (34.9)	0.94 (23.9)	0.56 (14.2)	0.28 (7.1)	10000 (690)	
1	3/8	SS-HPHN-RT16-RT6	2.14 (54.3)	1.37 (34.9)	0.94 (23.9)	0.56 (14.2)	0.38 (9.6)	10000 (690)	
1	1/2	SS-HPHN-RT16-RT8	2.33 (59.2)	1.37 (34.9)	0.94 (23.9)	0.75 (19.1)	0.47 (11.9)	10000 (690)	
1	3/4	SS-HPHN-RT16-RT12	2.33 (59.2)	1.37 (34.9)	0.94 (23.9)	0.75 (19.1)	0.58 (14.8)	10000 (690)	
1	1	SS-HPHN-RT16	2.52 (64.0)	1.37 (34.9)	0.94 (23.9)	0.94 (23.9)	0.79 (20.0)	10000 (690)	

Medium & High Pressure Fittings and Tubing

Quick Couplings

Medium & High Pressure Valves

Line Filters

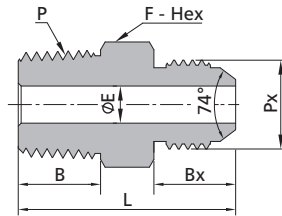
Sour Service Products

Subsea Valves

Tools and Installation Instructions

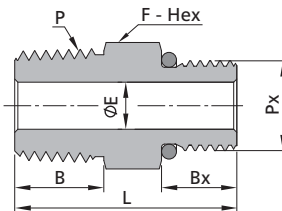
Technical Information

Hex Nipples



Male NPT Threads			Dimensions, in. (mm)					Male JIC
P-NPT Size, in.	Px-SAE/MS Thread Size, in.	Ordering Number	L	F	B	Bx	E	Working Pressure psig (bar)
			1/8	7/16-20	SS-HPHN-NS2-AN4	1.23 (31.3)	0.50 (12.7)	
1/8	9/16-18	SS-HPHN-NS2-AN6	1.31 (33.4)	0.63 (15.9)	0.38 (9.7)	0.56 (14.1)	0.19 (4.8)	15000 (1034)
1/4	7/16-20	SS-HPHN-NS4-AN4	1.46 (37.2)	0.56 (14.3)	0.56 (14.2)	0.55 (14.0)	0.17 (4.4)	15000 (1034)
1/4	9/16-18	SS-HPHN-NS4-AN6	1.49 (37.9)	0.63 (15.9)	0.56 (14.2)	0.56 (14.1)	0.23 (5.8)	15000 (1034)
1/4	3/4-16	SS-HPHN-NS4-AN8	1.65 (41.9)	0.81 (20.6)	0.56 (14.2)	0.66 (16.7)	0.25 (6.4)	15000 (1034)
3/8	7/16-20	SS-HPHN-NS6-AN4	1.52 (38.4)	0.69 (17.5)	0.56 (14.2)	0.55 (14.0)	0.17(4.4)	15000 (1034)
3/8	9/16-18	SS-HPHN-NS6-AN6	1.52 (38.4)	0.69 (17.5)	0.56 (14.2)	0.56 (14.1)	0.23 (5.8)	15000 (1034)
3/8	3/4-16	SS-HPHN-NS6-AN8	1.62 (41.1)	0.81 (20.6)	0.56 (14.2)	0.66 (16.7)	0.31 (7.9)	15000 (1034)
1/2	7/16-20	SS-HPHN-NS8-AN4	1.75 (44.5)	0.87 (22.2)	0.75 (19.1)	0.55 (14.0)	0.17 (4.4)	15000 (1034)
1/2	9/16-18	SS-HPHN-NS8-AN6	1.75 (44.6)	0.87 (22.2)	0.75 (19.1)	0.56 (14.1)	0.23 (5.8)	15000 (1034)
1/2	3/4-16	SS-HPHN-NS8-AN8	1.86 (47.2)	0.87 (22.2)	0.75 (19.1)	0.66 (16.7)	0.31 (8.0)	15000 (1034)
1/2	7/8-14	SS-HPHN-NS8-AN10	1.98 (50.4)	0.94 (23.8)	0.75 (19.1)	0.76 (19.3)	0.37 (9.4)	15000 (1034)
3/4	3/4-16	SS-HPHN-NS12-AN8	1.94 (49.4)	1.06 (27.0)	0.75 (19.1)	0.66 (16.7)	0.39 (9.9)	10000 (690)
3/4	7/8-14	SS-HPHN-NS12-AN10	2.05 (52.0)	1.06 (27.0)	0.75 (19.1)	0.76 (19.3)	0.48 (12.3)	10000 (690)
3/4	1 1/16-12	SS-HPHN-NS12-AN12	2.17 (55.0)	1.13 (28.6)	0.75 (19.1)	0.86 (21.9)	0.58 (14.8)	10000 (690)
3/4	1 5/16-12	SS-HPHN-NS12-AN16	2.30 (58.4)	1.37 (34.9)	0.75 (19.1)	0.91 (23.1)	0.58 (14.8)	10000 (690)
1	1 1/16-12	SS-HPHN-NS16-AN12	2.44 (62.0)	1.37 (34.9)	0.94 (23.9)	0.86 (21.9)	0.61 (15.5)	10000 (690)
1	1 5/16-12	SS-HPHN-NS16-AN16	2.49 (63.2)	1.37 (34.9)	0.94 (23.9)	0.91 (23.1)	0.79 (20.0)	10000 (690)

Hex Nipples<sup>①</sup>



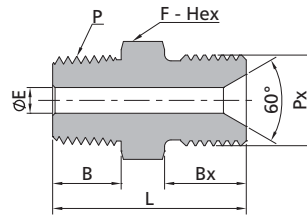
Male NPT Threads			Male SAE/MS Straight Threads					
P-NPT Size, in.	Px-SAE/MS Thread Size, in.	Ordering Number	Dimensions, in. (mm)					Working Pressure psig (bar)
			L	F	B	Bx	E	
1/4	7/16-20	SS-HPHN-NS4-SH7	1.35 (34.2)	0.56 (14.3)	0.56 (14.2)	0.43 (11.0)	0.18 (4.5)	10000 (690)
1/4	9/16-18	SS-HPHN-NS4-SH9	1.43 (36.4)	0.69 (17.5)	0.56 (14.2)	0.47 (12.0)	0.28 (7.1)	10000 (690)
3/8	7/16-20	SS-HPHN-NS6-SH7	1.39 (35.4)	0.69 (17.5)	0.56 (14.2)	0.43 (11.0)	0.18 (4.5)	10000 (690)
3/8	9/16-18	SS-HPHN-NS6-SH9	1.43 (36.4)	0.69 (17.5)	0.56 (14.2)	0.47 (12.0)	0.30 (7.5)	10000 (690)
3/8	3/4-16	SS-HPHN-NS6-SH12	1.56 (39.6)	0.87 (22.2)	0.56 (14.2)	0.55 (14.0)	0.38 (9.6)	10000 (690)
1/2	9/16-18	SS-HPHN-NS8-SH9	1.67 (42.5)	0.87 (22.2)	0.75 (19.1)	0.47 (12.0)	0.30 (7.5)	10000 (690)
1/2	3/4-16	SS-HPHN-NS8-SH12	1.75 (44.5)	0.87 (22.2)	0.75 (19.1)	0.55 (14.0)	0.39 (10.0)	10000 (690)
1/2	7/8-14	SS-HPHN-NS8-SH14	1.88 (47.7)	1.00 (25.4)	0.75 (19.1)	0.63 (16.0)	0.47 (11.9)	10000 (690)
3/4	9/16-18	SS-HPHN-NS12-SH9	1.76 (44.7)	1.06 (27.0)	0.75 (19.1)	0.47 (12.0)	0.30 (7.5)	10000 (690)
3/4	3/4-16	SS-HPHN-NS12-SH12	1.84 (46.7)	1.06 (27.0)	0.75 (19.1)	0.55 (14.0)	0.39 (10.0)	10000 (690)
3/4	7/8-14	SS-HPHN-NS12-SH14	1.92 (48.7)	1.06 (27.0)	0.75 (19.1)	0.63 (16.0)	0.49 (12.5)	10000 (690)
1	3/4-16	SS-HPHN-NS16-SH12	2.13 (54.1)	1.37 (34.9)	0.94 (23.9)	0.55 (14.0)	0.39 (10.0)	10000 (690)
1	7/8-14	SS-HPHN-NS16-SH14	2.21 (56.1)	1.37 (34.9)	0.94 (23.9)	0.63 (16.0)	0.49 (12.5)	10000 (690)

① SAE/MS Heavy-Duty Stud Ends are supplied with a Fluorocarbon FKM O-ring as standard, other materials of O-rings available.

Medium & High Pressure Fittings and Tubing  
Quick Couplings  
Medium & High Pressure Valves  
Line Filters  
Sour Service Products  
Subsea Valves  
Tools and Installation Instructions  
Technical Information

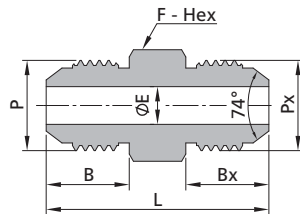


Hex Nipples



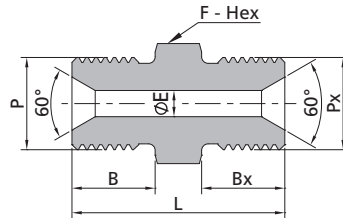
Male NPT Threads			Dimensions, in. (mm)					Male Type "M"
P-NPT Size, in.	Px-SAE/MS Thread Size, in.	Ordering Number	L	F	B	Bx	E	Working Pressure psig (bar)
			1/8	9/16-18	SS-HPHN-NS2-HM9	1.22 (31.0)	0.63 (15.9)	
1/8	3/4-16	SS-HPHN-NS2-HM12	13.9 (35.3)	0.75 (19.1)	0.38 (9.7)	0.63 (16.0)	0.19 (4.8)	15000 (1034)
1/4	9/16-18	SS-HPHN-NS4-HM9	1.40 (35.5)	0.63 (15.9)	0.56 (14.2)	0.50 (12.7)	0.09 (2.4)	15000 (1034)
1/4	3/4-16	SS-HPHN-NS4-HM12	1.57 (39.8)	0.75 (19.1)	0.56 (14.2)	0.63 (16.0)	0.25 (6.4)	15000 (1034)
1/4	7/8-14	SS-HPHN-NS4-HM14	1.77 (45.0)	1.00 (25.4)	0.56 (14.2)	0.76 (19.2)	0.15 (3.8)	15000 (1034)
3/8	9/16-18	SS-HPHN-NS6-HM9	1.42 (36.1)	0.69 (17.5)	0.56 (14.2)	0.50 (12.7)	0.09 (2.4)	15000 (1034)
3/8	3/4-16	SS-HPHN-NS6-HM12	1.57 (39.8)	0.75 (19.1)	0.56 (14.2)	0.63 (16.0)	0.29 (7.4)	15000 (1034)
3/8	7/8-14	SS-HPHN-NS6-HM14	1.96 (49.9)	1.00 (25.4)	0.56 (14.2)	0.76 (19.2)	0.15 (3.8)	15000 (1034)
1/2	9/16-18	SS-HPHN-NS8-HM9	1.66 (42.2)	0.87 (22.2)	0.75 (19.1)	0.50 (12.7)	0.09 (2.4)	15000 (1034)
1/2	3/4-16	SS-HPHN-NS8-HM12	1.79 (45.5)	0.87 (22.2)	0.75 (19.1)	0.63 (16.0)	0.29 (7.4)	15000 (1034)
1/2	7/8-14	SS-HPHN-NS8-HM14	1.96 (49.9)	1.00 (25.4)	0.75 (19.1)	0.76 (19.2)	0.15 (3.8)	15000 (1034)
1/2	1-12	SS-HPHN-NS8-HM16	1.85 (47.0)	1.00 (25.4)	0.75 (19.1)	0.64 (16.3)	0.38 (9.6)	15000 (1034)
3/4	9/16-18	SS-HPHN-NS12-HM9	1.75 (44.4)	1.06 (27.0)	0.75 (19.1)	0.50 (12.7)	0.09 (2.4)	10000 (690)
3/4	3/4-16	SS-HPHN-NS12-HM12	1.88 (47.7)	1.06 (27.0)	0.75 (19.1)	0.63 (16.0)	0.29 (7.4)	10000 (690)
3/4	7/8-14	SS-HPHN-NS12-HM14	2.00 (50.9)	1.06 (27.0)	0.75 (19.1)	0.76 (19.2)	0.15 (3.8)	10000 (690)
3/4	1-12	SS-HPHN-NS12-HM16	1.89 (48.0)	1.06 (27.0)	0.75 (19.1)	0.64 (16.3)	0.39 (10.0)	10000 (690)
1	1-12	SS-HPHN-NS16-HM16	2.18 (55.4)	1.37 (34.9)	0.94 (23.9)	0.64 (16.3)	0.39 (10.0)	10000 (690)
1	1 5/16-12	SS-HPHN-NS16-HM21	2.16 (54.8)	1.37 (34.9)	0.94 (23.9)	0.62 (15.7)	0.69 (17.5)	10000 (690)

Hex Nipples



Male JIC			Dimensions, in. (mm)					Working Pressure psig (bar)
P-SAE/MS Thread Size, in.	Px-SAE/MS Thread Size, in.	Ordering Number	L	F	B	Bx	E	Working Pressure psig (bar)
			7/16-20	7/16-20	SS-HPHN-AN4	1.40 (35.6)	0.50 (12.7)	
9/16-18	7/16-20	SS-HPHN-AN6-AN4	1.48 (37.7)	0.63 (15.9)	0.56 (14.1)	0.55 (14.0)	0.17 (4.4)	20000 (1379)
9/16-18	9/16-18	SS-HPHN-AN6	1.49 (37.8)	0.63 (15.9)	0.56 (14.1)	0.56 (14.1)	0.23 (5.8)	20000 (1379)
3/4-16	9/16-18	SS-HPHN-AN8-AN6	1.65 (41.8)	0.81 (20.6)	0.66 (16.7)	0.56 (14.1)	0.23 (5.8)	20000 (1379)
3/4-16	3/4-16	SS-HPHN-AN8	1.75 (44.4)	0.81 (20.6)	0.66 (16.7)	0.66 (16.7)	0.31 (8.0)	20000 (1379)
7/8-14	9/16-18	SS-HPHN-AN10-AN6	1.79 (45.4)	0.94 (23.8)	0.76 (19.3)	0.56 (14.1)	0.23 (5.8)	20000 (1379)
7/8-14	3/4-16	SS-HPHN-AN10-AN8	1.89 (48.0)	0.94 (23.8)	0.76 (19.3)	0.66 (16.7)	0.31 (8.0)	20000 (1379)
7/8-14	7/8-14	SS-HPHN-AN10	1.99 (50.6)	0.94 (23.8)	0.76 (19.3)	0.76 (19.3)	0.37 (9.4)	20000 (1379)
1 1/16-12	3/4-16	SS-HPHN-AN12-AN8	2.07 (52.6)	1.13 (28.6)	0.86 (21.9)	0.66 (16.7)	0.31 (8.0)	15000 (1034)
1 1/16-12	7/8-14	SS-HPHN-AN12-AN10	2.17 (55.2)	1.13 (28.6)	0.86 (21.9)	0.76 (19.3)	0.37 (9.4)	15000 (1034)
1 1/16-12	1 1/16-12	SS-HPHN-AN12	2.28 (57.8)	1.13 (28.6)	0.86 (21.9)	0.86 (21.9)	0.46 (11.6)	15000 (1034)
1 5/16-12	7/8-14	SS-HPHN-AN16-AN10	2.31 (58.6)	1.37 (34.9)	0.91 (23.1)	0.76 (19.3)	0.37 (9.4)	15000 (1034)
1 5/16-12	1 1/16-12	SS-HPHN-AN16-AN12	2.41 (61.2)	1.37 (34.9)	0.91 (23.1)	0.86 (21.9)	0.46 (11.6)	15000 (1034)
1 5/16-12	1 5/16-12	SS-HPHN-AN16	2.46 (62.4)	1.37 (34.9)	0.91 (23.1)	0.91 (23.1)	0.57 (14.6)	15000 (1034)

## Hex Nipples



Male Type "M"			Dimensions, in. (mm)					Male Type "M"
Px- SAE/MS Thread Size, in.	Px- SAE/MS Thread Size, in.	Ordering Number	L	F	B	Bx	E	Working Pressure psig (bar)
9/16-18	9/16-18	SS-HPHN-HM9	1.34 (34.0)	0.63 (15.9)	0.50 (12.7)	0.50 (12.7)	0.09 (2.4)	60000 (4137)
3/4-16	9/16-18	SS-HPHN-HM12-HM9	1.51 (38.3)	0.75 (19.1)	0.63 (16.0)	0.50 (12.7)	0.09 (2.4)	30000 (2068)
3/4-16	3/4-16	SS-HPHN-HM12	1.64 (41.6)	0.75 (19.1)	0.63 (16.0)	0.63 (16.0)	0.29 (7.4)	30000 (2068)
7/8-14	9/16-18	SS-HPHN-HM14-HM9	1.71 (43.5)	1.00 (25.4)	0.76 (19.2)	0.50 (12.7)	0.09 (2.4)	50000 (3447)
7/8-14	3/4-16	SS-HPHN-HM14-HM12	1.84 (46.8)	1.00 (25.4)	0.76 (19.2)	0.63 (16.0)	0.15 (3.8)	30000 (2068)
7/8-14	7/8-14	SS-HPHN-HM14	1.97 (50.0)	1.00 (25.4)	0.76 (19.2)	0.76 (19.2)	0.15 (3.8)	50000 (3447)
1-12	9/16-18	SS-HPHN-HM16-HM9	1.60 (40.6)	1.00 (25.4)	0.64 (16.3)	0.50 (12.7)	0.09 (2.4)	30000 (2068)
1-12	3/4-16	SS-HPHN-HM16-HM12	1.73 (43.9)	1.00 (25.4)	0.64 (16.3)	0.63 (16.0)	0.29 (7.4)	30000 (2068)
1-12	7/8-14	SS-HPHN-HM16-HM14	1.85 (47.1)	1.00 (25.4)	0.64 (16.3)	0.76 (19.2)	0.15 (3.8)	30000 (2068)
1-12	1-12	SS-HPHN-HM16	1.74 (44.2)	1.00 (25.4)	0.64 (16.3)	0.64 (16.3)	0.39 (10.0)	30000 (2068)
1 5/16-12	1-12	SS-HPHN-HM21-HM16	1.86 (47.2)	1.37 (34.9)	0.62 (15.7)	0.64 (16.3)	0.39 (10.0)	20000 (1379)
1 5/16-12	1 5/16-12	SS-HPHN-HM21	1.83 (46.6)	1.37 (34.9)	0.62 (15.7)	0.62 (15.7)	0.69 (17.5)	20000 (1379)

Medium & High Pressure  
Fittings and Tubing

Quick Couplings

Medium & High Pressure  
Valves

Line Filters

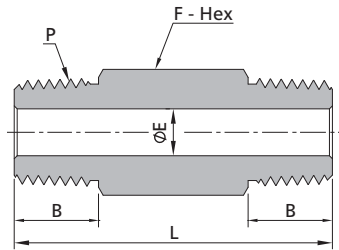
Sour Service Products

Subsea Valves

Tools and Installation  
Instructions

Technical Information

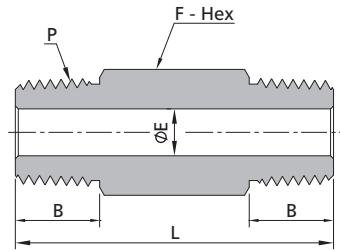
Hex Long Nipples



Male NPT Threads						
P-NPT Size, in.	Ordering Number	Dimensions, in. (mm)				Working Pressure psig (bar)
		L	F	B	E	
1/8	SS-HPLN-NS2-1.5	1.50 (38.1)	0.44 (11.1)	0.38 (9.7)	0.19 (4.8)	15000 (1034)
1/8	SS-HPLN-NS2-2	2.00 (50.8)	0.44 (11.1)	0.38 (9.7)	0.19 (4.8)	15000 (1034)
1/8	SS-HPLN-NS2-2.5	2.50 (63.5)	0.44 (11.1)	0.38 (9.7)	0.19 (4.8)	15000 (1034)
1/8	SS-HPLN-NS2-3	3.00 (76.2)	0.44 (11.1)	0.38 (9.7)	0.19 (4.8)	15000 (1034)
1/4	SS-HPLN-NS4-2	2.00 (50.8)	0.56 (14.3)	0.56 (14.2)	0.25 (6.4)	15000 (1034)
1/4	SS-HPLN-NS4-2.5	2.50 (63.5)	0.56 (14.3)	0.56 (14.2)	0.25 (6.4)	15000 (1034)
1/4	SS-HPLN-NS4-3	3.00 (76.2)	0.56 (14.3)	0.56 (14.2)	0.25 (6.4)	15000 (1034)
1/4	SS-HPLN-NS4-4	4.00 (101.6)	0.56 (14.3)	0.56 (14.2)	0.25 (6.4)	15000 (1034)
3/8	SS-HPLN-NS6-2	2.00 (50.8)	0.69 (17.5)	0.56 (14.2)	0.31 (7.9)	15000 (1034)
3/8	SS-HPLN-NS6-2.5	2.50 (63.5)	0.69 (17.5)	0.56 (14.2)	0.31 (7.9)	15000 (1034)
3/8	SS-HPLN-NS6-3	3.00 (76.2)	0.69 (17.5)	0.56 (14.2)	0.31 (7.9)	15000 (1034)
3/8	SS-HPLN-NS6-4	4.00 (101.6)	0.69 (17.5)	0.56 (14.2)	0.31 (7.9)	15000 (1034)
1/2	SS-HPLN-NS8-3	3.00 (76.2)	0.87 (22.2)	0.75 (19.1)	0.38 (9.6)	15000 (1034)
1/2	SS-HPLN-NS8-4	4.00 (101.6)	0.87 (22.2)	0.75 (19.1)	0.38 (9.6)	15000 (1034)
1/2	SS-HPLN-NS8-6	6.00 (152.4)	0.87 (22.2)	0.75 (19.1)	0.38 (9.6)	15000 (1034)
3/4	SS-HPLN-NS12-3	3.00 (76.2)	1.06 (27.0)	0.75 (19.1)	0.58 (14.8)	10000 (690)
3/4	SS-HPLN-NS12-4	4.00 (101.6)	1.06 (27.0)	0.75 (19.1)	0.58 (14.8)	10000 (690)
3/4	SS-HPLN-NS12-6	6.00 (152.4)	1.06 (27.0)	0.75 (19.1)	0.58 (14.8)	10000 (690)
3/4	SS-HPLN-NS12-8	8.00 (203.2)	1.06 (27.0)	0.75 (19.1)	0.58 (14.8)	10000 (690)
1	SS-HPLN-NS16-3	3.00 (76.2)	1.37 (34.9)	0.94 (23.9)	0.79 (20.0)	10000 (690)
1	SS-HPLN-NS16-4	4.00 (101.6)	1.37 (34.9)	0.94 (23.9)	0.79 (20.0)	10000 (690)
1	SS-HPLN-NS16-6	6.00 (152.4)	1.37 (34.9)	0.94 (23.9)	0.79 (20.0)	10000 (690)
1	SS-HPLN-NS16-8	8.00 (203.2)	1.37 (34.9)	0.94 (23.9)	0.79 (20.0)	10000 (690)

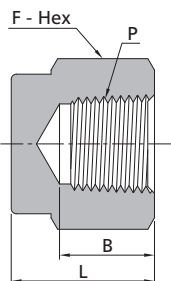
Medium & High Pressure Fittings and Tubing  
Quick Couplings  
Medium & High Pressure Valves  
Line Filters  
Sour Service Products  
Subsea Valves  
Tools and Installation Instructions  
Technical Information

Hex Long Nipples



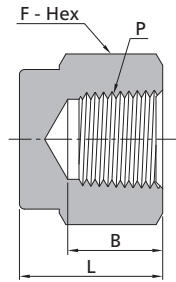
Male ISO/BSP Tapered Threads						
P-ISO/BSP Tapered Size, in.	Ordering Number	Dimensions, in. (mm)				Working Pressure psig (bar)
		L	F	B	E	
1/8	SS-HPLN-RT2-1.5	1.50 (38.1)	0.44 (11.1)	0.38 (9.7)	0.19 (4.8)	15000 (1034)
1/8	SS-HPLN-RT2-2	2.00 (50.8)	0.44 (11.1)	0.38 (9.7)	0.19 (4.8)	15000 (1034)
1/8	SS-HPLN-RT2-2.5	2.50 (63.5)	0.44 (11.1)	0.38 (9.7)	0.19 (4.8)	15000 (1034)
1/8	SS-HPLN-RT2-3	3.00 (76.2)	0.44 (11.1)	0.38 (9.7)	0.19 (4.8)	15000 (1034)
1/4	SS-HPLN-RT4-2	2.00 (50.8)	0.56 (14.3)	0.56 (14.2)	0.25 (6.4)	15000 (1034)
1/4	SS-HPLN-RT4-2.5	2.50 (63.5)	0.56 (14.3)	0.56 (14.2)	0.25 (6.4)	15000 (1034)
1/4	SS-HPLN-RT4-3	3.00 (76.2)	0.56 (14.3)	0.56 (14.2)	0.25 (6.4)	15000 (1034)
1/4	SS-HPLN-RT4-4	4.00 (101.6)	0.56 (14.3)	0.56 (14.2)	0.25 (6.4)	15000 (1034)
3/8	SS-HPLN-RT6-2	2.00 (50.8)	0.69 (17.5)	0.56 (14.2)	0.31 (7.9)	15000 (1034)
3/8	SS-HPLN-RT6-2.5	2.50 (63.5)	0.69 (17.5)	0.56 (14.2)	0.31 (7.9)	15000 (1034)
3/8	SS-HPLN-RT6-3	3.00 (76.2)	0.69 (17.5)	0.56 (14.2)	0.31 (7.9)	15000 (1034)
3/8	SS-HPLN-RT6-4	4.00 (101.6)	0.69 (17.5)	0.56 (14.2)	0.31 (7.9)	15000 (1034)
1/2	SS-HPLN-RT8-3	3.00 (76.2)	0.87 (22.2)	0.75 (19.1)	0.38 (9.6)	15000 (1034)
1/2	SS-HPLN-RT8-4	4.00 (101.6)	0.87 (22.2)	0.75 (19.1)	0.38 (9.6)	15000 (1034)
1/2	SS-HPLN-RT8-6	6.00 (152.4)	0.87 (22.2)	0.75 (19.1)	0.38 (9.6)	15000 (1034)
3/4	SS-HPLN-RT12-3	3.00 (76.2)	1.06 (27.0)	0.75 (19.1)	0.58 (14.8)	10000 (690)
3/4	SS-HPLN-RT12-4	4.00 (101.6)	1.06 (27.0)	0.75 (19.1)	0.58 (14.8)	10000 (690)
3/4	SS-HPLN-RT12-6	6.00 (152.4)	1.06 (27.0)	0.75 (19.1)	0.58 (14.8)	10000 (690)
3/4	SS-HPLN-RT12-8	8.00 (203.2)	1.06 (27.0)	0.75 (19.1)	0.58 (14.8)	10000 (690)
1	SS-HPLN-RT16-3	3.00 (76.2)	1.37 (34.9)	0.94 (23.9)	0.79 (20.0)	10000 (690)
1	SS-HPLN-RT16-4	4.00 (101.6)	1.37 (34.9)	0.94 (23.9)	0.79 (20.0)	10000 (690)
1	SS-HPLN-RT16-6	6.00 (152.4)	1.37 (34.9)	0.94 (23.9)	0.79 (20.0)	10000 (690)
1	SS-HPLN-RT16-8	8.00 (203.2)	1.37 (34.9)	0.94 (23.9)	0.79 (20.0)	10000 (690)

Pipe Caps



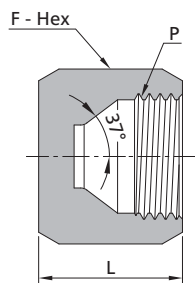
Female NPT Threads					
P-NPT Size, in.	Ordering Number	Dimensions, in. (mm)			Working Pressure psig (bar)
		L	F	B	
1/8	SS-HPC-NS2	0.75 (19.1)	0.63 (15.9)	0.41 (10.4)	15000 (1034)
1/4	SS-HPC-NS4	0.91 (23.1)	0.94 (23.8)	0.59 (15.0)	15000 (1034)
3/8	SS-HPC-NS6	1.03 (26.2)	1.13 (28.6)	0.59 (15.0)	15000 (1034)
1/2	SS-HPC-NS8	1.34 (34.0)	1.37 (34.9)	0.78 (19.8)	15000 (1034)
3/4	SS-HPC-NS12	1.62 (36.6)	1.50 (38.1)	0.81 (20.6)	10000 (690)
1	SS-HPC-NS16	1.62 (41.1)	44.5 (1.75)	1.00 (25.4)	10000 (690)

Pipe Caps



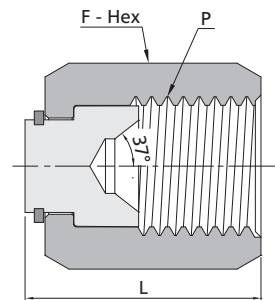
Female ISO/BSP Tapered Threads					
P-ISO/BSP Tapered Size, in.	Ordering Number	Dimensions, in. (mm)			Working Pressure psig (bar)
		L	F	B	
1/8	SS-HPC-RT2	0.75 (19.1)	0.63 (15.9)	0.41 (10.4)	15000 (1034)
1/4	SS-HPC-RT4	0.91 (23.1)	0.94 (23.8)	0.59 (15.0)	15000 (1034)
3/8	SS-HPC-RT6	1.03 (26.2)	1.13 (28.6)	0.59 (15.0)	15000 (1034)
1/2	SS-HPC-RT8	1.34 (34.0)	1.37 (34.9)	0.78 (19.8)	15000 (1034)
3/4	SS-HPC-RT12	1.62 (36.6)	1.50 (38.1)	0.81 (20.6)	10000 (690)
1	SS-HPC-RT16	1.62 (41.1)	1.75 (44.5)	1.00 (25.4)	10000 (690)

Pipe Caps



Female JIC				
P-SAE/MS Thread Size, in.	Ordering Number	Dimensions, in. (mm)		Working Pressure psig (bar)
		L	F	
7/16-20	SS-HPC-AN4	0.63 (16.1)	0.56 (14.3)	20000 (1379)
9/16-18	SS-HPC-AN6	0.72 (18.3)	0.69 (17.5)	20000 (1379)
3/4-16	SS-HPC-AN8	0.85 (21.6)	0.87 (22.2)	20000 (1379)
7/8-14	SS-HPC-AN10	0.98 (24.9)	1.00 (25.4)	20000 (1379)
1 1/16-12	SS-HPC-AN12	1.06 (26.8)	1.25 (31.8)	15000 (1034)
1 5/16-12	SS-HPC-AN16	1.18 (30.0)	1.50 (38.1)	15000 (1034)

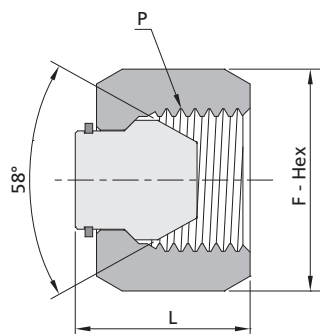
Pipe Cap Assemblies (Moveable Insert)



Moveable Insert Female JIC				
P-SAE/MS Thread Size, in.	Ordering Number	Dimensions, in. (mm)		Working Pressure psig (bar)
		L	F	
7/16-20	SS-HMC-AS4	0.67 (17.1)	0.56 (14.3)	20000 (1379)
9/16-18	SS-HMC-AS6	0.81 (20.5)	0.69 (17.5)	20000 (1379)
3/4-16	SS-HMC-AS8	0.94 (23.9)	0.87 (22.2)	20000 (1379)
7/8-14	SS-HMC-AS10	1.07 (27.1)	1.00 (25.4)	20000 (1379)
1 1/16-12	SS-HMC-AS12	1.24 (31.6)	1.25 (31.8)	15000 (1034)
1 5/16-12	SS-HMC-AS16	1.29 (32.8)	1.50 (38.1)	15000 (1034)

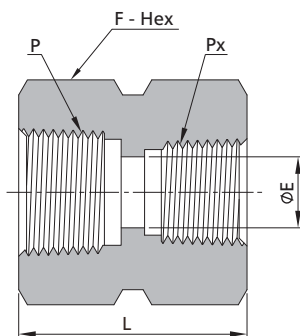
Medium & High Pressure Fittings and Tubing  
Quick Couplings  
Medium & High Pressure Valves  
Line Filters  
Sour Service Products  
Subsea Valves  
Tools and Installation Instructions  
Technical Information

Pipe Cap Assemblies (Moveable Insert)



Moveable Insert Female Type "M"					
P-SAE/MS Thread Size, in.	Ordering Number	Dimensions, in. (mm)		Working Pressure psig (bar)	
		L	F		
9/16-18	SS-HMC-HM9	0.85 (21.6)	0.69 (17.5)	60000 (4137)	
3/4-16	SS-HMC-HM12	0.91 (23.1)	1.00 (25.4)	30000 (2068)	
7/8-14	SS-HMC-HM14	1.28 (32.5)	1.19 (30.2)	50000 (3447)	
1-12	SS-HMC-HM16	1.25 (31.8)	1.25 (31.8)	30000 (2068)	
1 1/16-12	SS-HMC-HM21	1.18 (30.0)	1.50 (38.1)	20000 (1379)	

Hex Couplings



Female NPT Threads						
P-NPT Size, in.	Px-NPT Size, in.	Ordering Number	Dimensions, in. (mm)			Working Pressure psig (bar)
			L	F	E	
1/8	1/8	SS-HPCG-NS2	0.94 (23.8)	0.63 (15.9)	0.31 (8.0)	15000 (1034)
1/4	1/8	SS-HPCG-NS4-NS2	1.14 (28.9)	0.94 (23.8)	0.31 (8.0)	15000 (1034)
1/4	1/4	SS-HPCG-NS4	1.32 (33.5)	0.94 (23.8)	0.41 (10.4)	15000 (1034)
3/8	1/8	SS-HPCG-NS6-NS2	1.14 (28.9)	1.13 (28.6)	0.31 (8.0)	15000 (1034)
3/8	1/4	SS-HPCG-NS6-NS4	1.32 (33.5)	1.13 (28.6)	0.41 (10.4)	15000 (1034)
3/8	3/8	SS-HPCG-NS6	1.32 (33.5)	1.13 (28.6)	0.54 (13.8)	15000 (1034)
1/2	1/8	SS-HPCG-NS8-NS2	1.35 (34.2)	1.37 (34.9)	0.31 (8.0)	15000 (1034)
1/2	1/4	SS-HPCG-NS8-NS4	1.53 (38.8)	1.37 (34.9)	0.41 (10.4)	15000 (1034)
1/2	3/8	SS-HPCG-NS8-NS6	1.53 (38.8)	1.37 (34.9)	0.54 (13.8)	15000 (1034)
1/2	1/2	SS-HPCG-NS8	1.72 (43.8)	1.37 (34.9)	0.67 (17.0)	15000 (1034)
3/4	1/8	SS-HPCG-NS12-NS2	1.40 (35.5)	1.50 (38.1)	0.31 (8.0)	10000 (690)
3/4	1/4	SS-HPCG-NS12-NS4	1.58 (40.1)	1.50 (38.1)	0.41 (10.4)	10000 (690)
3/4	3/8	SS-HPCG-NS12-NS6	1.58 (40.1)	1.50 (38.1)	0.54 (13.8)	10000 (690)
3/4	1/2	SS-HPCG-NS12-NS8	1.79 (45.4)	1.50 (38.1)	0.67 (17.0)	10000 (690)
3/4	3/4	SS-HPCG-NS12	1.84 (46.7)	1.50 (38.1)	0.88 (22.3)	10000 (690)
1	1/8	SS-HPCG-NS16-NS2	1.59 (40.5)	1.75 (44.5)	0.31 (8.0)	10000 (690)
1	1/4	SS-HPCG-NS16-NS4	1.76 (44.8)	1.75 (44.5)	0.41 (10.4)	10000 (690)
1	3/8	SS-HPCG-NS16-NS6	1.76 (44.8)	1.75 (44.5)	0.54 (13.8)	10000 (690)
1	1/2	SS-HPCG-NS16-NS8	1.96 (49.7)	1.75 (44.5)	0.67 (17.0)	10000 (690)
1	3/4	SS-HPCG-NS16-NS12	2.00 (50.7)	1.75 (44.5)	0.88 (22.3)	10000 (690)
1	1	SS-HPCG-NS16	2.19 (55.5)	1.75 (44.5)	1.11 (28.1)	10000 (690)

Medium & High Pressure Fittings and Tubing

Quick Couplings

Medium & High Pressure Valves

Line Filters

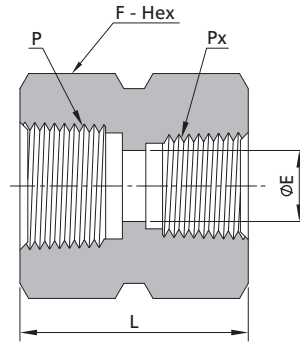
Sour Service Products

Subsea Valves

Tools and Installation Instructions

Technical Information

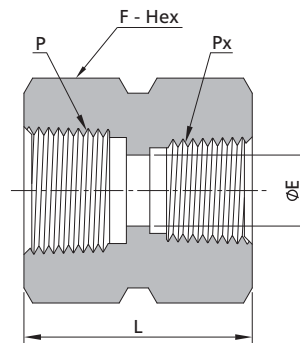
Hex Couplings



Female NPT Threads			Female ISO/BSP Tapered Threads			
P-NPT Size, in.	Px-ISO/BSP Tapered Size, in.	Ordering Number	Dimensions, in. (mm)			Working Pressure psig (bar)
			L	F	E	
1/8	1/8	SS-HPCG-NS2-RT2	0.94 (23.8)	0.63 (15.9)	0.31 (8.0)	15000 (1034)
1/4	1/8	SS-HPCG-NS4-RT2	1.14 (28.9)	0.94 (23.8)	0.31 (8.0)	15000 (1034)
1/4	1/4	SS-HPCG-NS4-RT4	1.32 (33.5)	0.94 (23.8)	0.41 (10.4)	15000 (1034)
3/8	1/8	SS-HPCG-NS6-RT2	1.14 (28.9)	1.13 (28.6)	0.31 (8.0)	15000 (1034)
3/8	1/4	SS-HPCG-NS6-RT4	1.32 (33.5)	1.13 (28.6)	0.41 (10.4)	15000 (1034)
3/8	3/8	SS-HPCG-NS6-RT6	1.32 (33.5)	1.13 (28.6)	0.54 (13.8)	15000 (1034)
1/2	1/8	SS-HPCG-NS8-RT2	1.35 (34.2)	1.37 (34.9)	0.31 (8.0)	15000 (1034)
1/2	1/4	SS-HPCG-NS8-RT4	1.53 (38.8)	1.37 (34.9)	0.41 (10.4)	15000 (1034)
1/2	3/8	SS-HPCG-NS8-RT6	1.53 (38.8)	1.37 (34.9)	0.54 (13.8)	15000 (1034)
1/2	1/2	SS-HPCG-NS8-RT8	1.72 (43.8)	1.37 (34.9)	0.67 (17.0)	15000 (1034)
3/4	1/8	SS-HPCG-NS12-RT2	1.40 (35.5)	1.50 (38.1)	0.31 (8.0)	10000 (690)
3/4	1/4	SS-HPCG-NS12-RT4	1.58 (40.1)	1.50 (38.1)	0.41 (10.4)	10000 (690)
3/4	3/8	SS-HPCG-NS12-RT6	1.58 (40.1)	1.50 (38.1)	0.54 (13.8)	10000 (690)
3/4	1/2	SS-HPCG-NS12-RT8	1.79 (45.4)	1.50 (38.1)	0.69 (17.4)	10000 (690)
3/4	3/4	SS-HPCG-NS12-RT12	1.84 (46.7)	1.50 (38.1)	0.88 (22.3)	10000 (690)
1	1/8	SS-HPCG-NS16-RT2	1.59 (40.5)	1.75 (44.5)	0.31 (8.0)	10000 (690)
1	1/4	SS-HPCG-NS16-RT4	1.76 (44.8)	1.75 (44.5)	0.41 (10.4)	10000 (690)
1	3/8	SS-HPCG-NS16-RT6	1.76 (44.8)	1.75 (44.5)	0.54 (13.8)	10000 (690)
1	1/2	SS-HPCG-NS16-RT8	1.96 (49.7)	1.75 (44.5)	0.69 (17.4)	10000 (690)
1	3/4	SS-HPCG-NS16-RT12	2.00 (50.7)	1.75 (44.5)	0.90 (22.8)	10000 (690)
1	1	SS-HPCG-NS16-RT16	2.19 (55.5)	1.75 (44.5)	1.11 (28.1)	10000 (690)

Medium & High Pressure Fittings and Tubing  
 Quick Couplings  
 Medium & High Pressure Valves  
 Line Filters  
 Sour Service Products  
 Subsea Valves  
 Tools and Installation Instructions  
 Technical Information

## Hex Couplings



Female ISO/BSP Tapered Threads						
P-ISO/BSP Tapered Size, in.	Px-ISO/BSP Tapered Size, in.	Ordering Number	Dimensions, in. (mm)			Working Pressure psig (bar)
			L	F	E	
1/8	1/8	SS-HPCG-RT2	0.94 (23.8)	0.63 (15.9)	0.31 (8.0)	15000 (1034)
1/4	1/8	SS-HPCG-RT4-RT2	1.14 (28.9)	0.94 (23.8)	0.31 (8.0)	15000 (1034)
1/4	1/4	SS-HPCG-RT4	1.32 (33.5)	0.94 (23.8)	0.41 (10.4)	15000 (1034)
3/8	1/8	SS-HPCG-RT6-RT2	1.14 (28.9)	1.13 (28.6)	0.31 (8.0)	15000 (1034)
3/8	1/4	SS-HPCG-RT6-RT4	1.32 (33.5)	1.13 (28.6)	0.41 (10.4)	15000 (1034)
3/8	3/8	SS-HPCG-RT6	1.32 (33.5)	1.13 (28.6)	0.54 (13.8)	15000 (1034)
1/2	1/8	SS-HPCG-RT8-RT2	1.35 (34.2)	1.37 (34.9)	0.31 (8.0)	15000 (1034)
1/2	1/4	SS-HPCG-RT8-RT4	1.53 (38.8)	1.37 (34.9)	0.41 (10.4)	15000 (1034)
1/2	3/8	SS-HPCG-RT8-RT6	1.53 (38.8)	1.37 (34.9)	0.54 (13.8)	15000 (1034)
1/2	1/2	SS-HPCG-RT8	1.72 (43.8)	1.37 (34.9)	0.69 (17.4)	15000 (1034)
3/4	1/8	SS-HPCG-RT12-RT2	1.40 (35.5)	1.50 (38.1)	0.31 (8.0)	10000 (690)
3/4	1/4	SS-HPCG-RT12-RT4	1.58 (40.1)	1.50 (38.1)	0.41 (10.4)	10000 (690)
3/4	3/8	SS-HPCG-RT12-RT6	1.58 (40.1)	1.50 (38.1)	0.54 (13.8)	10000 (690)
3/4	1/2	SS-HPCG-RT12-RT8	1.79 (45.4)	1.50 (38.1)	0.90 (22.8)	10000 (690)
3/4	3/4	SS-HPCG-RT12	1.84 (46.7)	1.50 (38.1)	1.13 (28.7)	10000 (690)
1	1/8	SS-HPCG-RT16-RT2	1.59 (40.5)	1.75 (44.5)	0.31 (8.0)	10000 (690)
1	1/4	SS-HPCG-RT16-RT4	1.76 (44.8)	1.75 (44.5)	0.41 (10.4)	10000 (690)
1	3/8	SS-HPCG-RT16-RT6	1.76 (44.8)	1.75 (44.5)	0.54 (13.8)	10000 (690)
1	1/2	SS-HPCG-RT16-RT8	1.96 (49.7)	1.75 (44.5)	0.69 (17.4)	10000 (690)
1	3/4	SS-HPCG-RT16-RT12	2.00 (50.7)	1.75 (44.5)	0.90 (22.8)	10000 (690)
1	1	SS-HPCG-RT16	2.19 (55.5)	1.75 (44.5)	1.13 (28.7)	10000 (690)

Medium & High Pressure  
Fittings and Tubing

Quick Couplings

Medium & High Pressure  
Valves

Line Filters

Sour Service Products

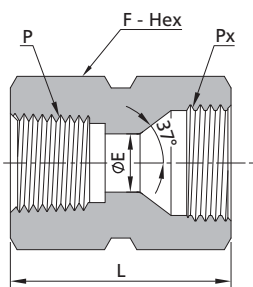
Subsea Valves

Tools and Installation  
Instructions

Technical Information

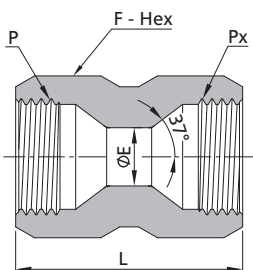


Hex Couplings



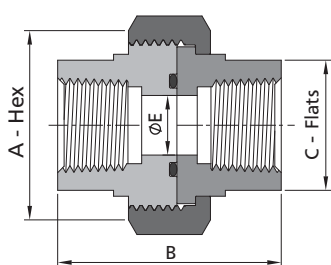
Female NPT Threads				Female JIC			
P-NPT Size, in.	Px-SAE/MS Thread Size, in.	Ordering Number	Dimensions, in. (mm)			Working Pressure psig (bar)	
			L	F	E		
1/8	7/16-20	SS-HPCG-NS2-AN4	1.12 (28.4)	0.63 (15.9)	0.17 (4.3)	15000 (1034)	
1/4	7/16-20	SS-HPCG-NS4-AN4	1.33 (33.7)	0.94 (23.8)	0.17 (4.3)	15000 (1034)	
1/4	9/16-18	SS-HPCG-NS4-AN6	1.36 (34.5)	0.94 (23.8)	0.30 (7.5)	15000 (1034)	
3/8	7/16-20	SS-HPCG-NS6-AN4	1.33 (33.7)	1.13 (28.6)	0.17 (4.3)	15000 (1034)	
3/8	9/16-18	SS-HPCG-NS6-AN6	1.36 (34.5)	1.13 (28.6)	0.30 (7.5)	15000 (1034)	
3/8	3/4-16	SS-HPCG-NS6-AN8	1.44 (36.5)	1.13 (28.6)	0.39 (9.9)	15000 (1034)	
1/2	9/16-18	SS-HPCG-NS8-AN6	1.56 (39.7)	1.37 (34.9)	0.30 (7.5)	15000 (1034)	
1/2	3/4-16	SS-HPCG-NS8-AN8	1.64 (41.7)	1.37 (34.9)	0.39 (9.9)	15000 (1034)	
1/2	7/8-14	SS-HPCG-NS8-AN10	1.74 (44.1)	1.37 (34.9)	0.48 (12.3)	15000 (1034)	

Hex Couplings



Female JIC				Female JIC			
P-SAE/MS Thread Size, in.	Px-SAE/MS Thread Size, in.	Ordering Number	Dimensions, in. (mm)			Working Pressure psig (bar)	
			L	F	E		
7/16-20	7/16-20	SS-HPCG-AN4	1.24 (31.5)	0.56 (14.3)	0.17 (4.3)	20000 (1379)	
9/16-18	7/16-20	SS-HPCG-AN6-AN4	1.27 (32.3)	0.69 (17.5)	0.17 (4.3)	20000 (1379)	
9/16-18	9/16-18	SS-HPCG-AN6	1.33 (33.8)	0.69 (17.5)	0.30 (7.5)	20000 (1379)	
3/4-16	9/16-18	SS-HPCG-AN8-AN6	1.39 (35.4)	0.87 (22.2)	0.30 (7.5)	20000 (1379)	
3/4-16	3/4-16	SS-HPCG-AN8	1.48 (37.6)	0.87 (22.2)	0.39 (9.9)	20000 (1379)	
7/8-14	3/4-16	SS-HPCG-AN10-AN8	1.57 (40.0)	1.00 (25.4)	0.39 (9.9)	20000 (1379)	
7/8-14	7/8-14	SS-HPCG-AN10	1.68 (42.6)	1.00 (25.4)	0.48 (12.3)	20000 (1379)	
1 1/16-12	7/8-14	SS-HPCG-AN12-AN10	1.74 (44.1)	1.37 (34.8)	0.48 (12.3)	15000 (1034)	
1 1/16-12	1 1/16-12	SS-HPCG-AN12	1.80 (45.8)	1.25 (31.8)	0.61 (15.5)	15000 (1034)	
1 5/16-12	1 1/16-12	SS-HPCG-AN16-AN12	1.89 (48.1)	1.50 (38.1)	0.61 (15.5)	15000 (1034)	
1 5/16-12	1 5/16-12	SS-HPCG-AN16	1.97 (50.1)	1.50 (38.1)	0.84 (21.4)	15000 (1034)	

Zero-Clearance Unions<sup>①</sup>

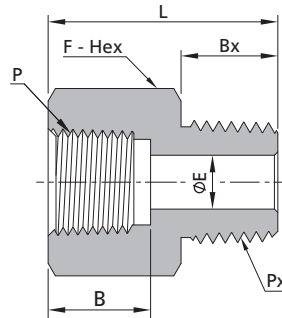


Female NPT Threads				Female NPT Threads			
P-NPT Size, in.	Ordering Number	Ordering Number	Dimensions, in. (mm)				Working Pressure psig (bar)
			A	B	C	E	
1/8	SS-HPZC-NS2	1.06 (27.0)	1.75 (44.5)	0.62 (15.8)	0.31 (8.0)	15000 (1034)	
1/4	SS-HPZC-NS4	1.50 (38.1)	2.00 (50.8)	0.94 (23.8)	0.41 (10.4)	15000 (1034)	
3/8	SS-HPZC-NS6	1.75 (44.5)	2.25 (57.2)	1.12 (28.5)	0.54 (13.8)	15000 (1034)	
1/2	SS-HPZC-NS8	2.00 (50.8)	2.50 (63.5)	1.37 (34.9)	0.67 (17.0)	15000 (1034)	
3/4	SS-HPZC-NS12	2.25 (57.2)	2.75 (69.9)	1.50 (38.1)	0.88 (22.3)	10000 (690)	

① Working temperature range with Fluorocarbon FKM O-rings: 0°F to 400°F (-17.8°C to 204°C), other materials of O-rings available.

Medium & High Pressure Fittings and Tubing  
Quick Couplings  
Medium & High Pressure Valves  
Line Filters  
Sour Service Products  
Subsea Valves  
Tools and Installation Instructions  
Technical Information

## Adapters



Female NPT Threads			Dimensions, in. (mm)					Male NPT Threads	Working Pressure psig (bar)
P-NPT Size, in.	Px-NPT Size, in.	Ordering Number	L	F	B	Bx	E		
1/8	1/8	SS-HPA-NS2	0.96 (24.5)	0.63 (15.9)	0.41 (10.4)	0.38 (9.7)	0.19 (4.8)	15000 (1034)	
1/8	1/4	SS-HPA-NS2-NS4	1.13 (28.8)	0.63 (15.9)	0.41 (10.4)	0.56 (14.2)	0.25 (6.4)	15000 (1034)	
1/8	3/8	SS-HPA-NS2-NS6	1.14 (29.0)	0.69 (17.5)	0.41 (10.4)	0.56 (14.2)	0.31 (7.9)	15000 (1034)	
1/8	1/2	SS-HPA-NS2-NS8	1.08 (27.4)	0.87 (22.2)	0.41 (10.4)	0.75 (19.1)	0.31 (8.0)	15000 (1034)	
1/8	3/4	SS-HPA-NS2-NS12	1.08 (27.4)	1.06 (27.0)	0.41 (10.4)	0.75 (19.1)	0.31 (8.0)	10000 (690)	
1/4	1/8	SS-HPA-NS4-NS2	1.25 (31.8)	0.94 (23.8)	0.59 (15.0)	0.38 (9.7)	0.19 (4.8)	15000 (1034)	
1/4	1/4	SS-HPA-NS4	1.37 (34.9)	0.94 (23.8)	0.59 (15.0)	0.56 (14.2)	0.25 (6.4)	15000 (1034)	
1/4	3/8	SS-HPA-NS4-NS6	1.37 (34.9)	0.94 (23.8)	0.59 (15.0)	0.56 (14.2)	0.31 (7.9)	15000 (1034)	
1/4	1/2	SS-HPA-NS4-NS8	1.58 (40.1)	0.94 (23.8)	0.59 (15.0)	0.75 (19.1)	0.38 (9.6)	15000 (1034)	
1/4	3/4	SS-HPA-NS4-NS12	1.34 (34.1)	1.06 (27.0)	0.59 (15.0)	0.75 (19.1)	0.41 (10.4)	10000 (690)	
1/4	1	SS-HPA-NS4-NS16	1.37 (34.8)	1.37 (34.9)	0.59 (15.0)	0.94 (23.9)	0.41 (10.4)	10000 (690)	
3/8	1/4	SS-HPA-NS6-NS4	1.42 (36.0)	1.13 (28.6)	0.59 (15.0)	0.56 (14.2)	0.25 (6.4)	15000 (1034)	
3/8	3/8	SS-HPA-NS6	1.42 (36.0)	1.13 (28.6)	0.59 (15.0)	0.56 (14.2)	0.31 (7.9)	15000 (1034)	
3/8	1/2	SS-HPA-NS6-NS8	1.61 (41.0)	1.13 (28.6)	0.59 (15.0)	0.75 (19.1)	0.38 (9.6)	15000 (1034)	
3/8	3/4	SS-HPA-NS6-NS12	1.61 (41.0)	1.06 (27.0)	0.59 (15.0)	0.75 (19.1)	0.54 (13.8)	10000 (690)	
3/8	1	SS-HPA-NS6-NS16	1.47 (37.3)	1.37 (34.9)	0.59 (15.0)	0.94 (23.9)	0.54 (13.8)	10000 (690)	
1/2	1/4	SS-HPA-NS8-NS4	1.72 (43.1)	1.37 (34.9)	0.78 (19.8)	0.56 (14.2)	0.25 (6.4)	15000 (1034)	
1/2	3/8	SS-HPA-NS8-NS6	1.72 (43.1)	1.37 (34.9)	0.78 (19.8)	0.56 (14.2)	0.31 (7.9)	15000 (1034)	
1/2	1/2	SS-HPA-NS8	1.89 (48.0)	1.37 (34.9)	0.78 (19.8)	0.75 (19.1)	0.38 (9.6)	15000 (1034)	
1/2	3/4	SS-HPA-NS8-NS12	1.89 (48.0)	1.19 (30.2)	0.78 (19.8)	0.75 (19.1)	0.58 (14.8)	10000 (690)	
1/2	1	SS-HPA-NS8-NS16	2.08 (52.8)	1.37 (34.9)	0.78 (19.8)	0.94 (23.9)	0.67 (17.0)	10000 (690)	
3/4	1/2	SS-HPA-NS12-NS8	1.89 (48.1)	1.50 (38.1)	0.81 (20.6)	0.75 (19.1)	0.47 (11.9)	10000 (690)	
3/4	3/4	SS-HPA-NS12	1.89 (48.1)	1.50 (38.1)	0.81 (20.6)	0.75 (19.1)	0.58 (14.8)	10000 (690)	
3/4	1	SS-HPA-NS12-NS16	2.08 (52.9)	1.50 (38.1)	0.81 (20.6)	0.94 (23.9)	0.79 (20.0)	10000 (690)	
1	1/2	SS-HPA-NS16-NS8	2.10 (53.3)	1.75 (44.5)	1.00 (25.4)	0.75 (19.1)	0.47 (11.9)	10000 (690)	
1	3/4	SS-HPA-NS16-NS12	2.10 (53.3)	1.75 (44.5)	1.00 (25.4)	0.75 (19.1)	0.58 (14.8)	10000 (690)	
1	1	SS-HPA-NS16	2.29 (58.1)	1.75 (44.5)	1.00 (25.4)	0.94 (23.9)	0.79 (20.0)	10000 (690)	

Medium & High Pressure  
Fittings and Tubing

Quick Couplings

Medium & High Pressure  
Valves

Line Filters

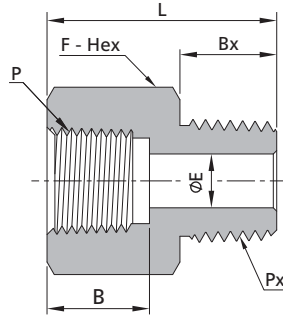
Sour Service Products

Subsea Valves

Tools and Installation  
Instructions

Technical Information

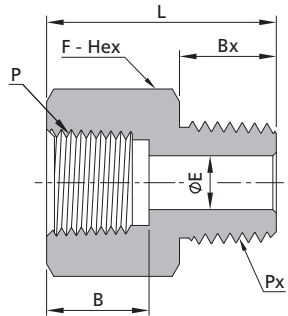
Adapters



Female NPT Threads			Male ISO/BSP Tapered Threads						
P-NPT Size, in.	Px-ISO/BSP Tapered Size, in.	Ordering Number	Dimensions, in. (mm)					Working Pressure psig (bar)	
			L	F	B	Bx	E		
1/8	1/8	SS-HPA-NS2-RT2	0.96 (24.5)	0.63 (15.9)	0.41 (10.4)	0.38 (9.7)	0.19 (4.8)	15000 (1034)	
1/8	1/4	SS-HPA-NS2-RT4	1.13 (28.8)	0.63 (15.9)	0.41 (10.4)	0.56 (14.2)	0.25 (6.4)	15000 (1034)	
1/8	3/8	SS-HPA-NS2-RT6	1.14 (29.0)	0.69 (17.5)	0.41 (10.4)	0.56 (14.2)	0.31 (7.9)	15000 (1034)	
1/8	1/2	SS-HPA-NS2-RT8	1.08 (27.4)	0.87 (22.2)	0.41 (10.4)	0.75 (19.1)	0.31 (8.0)	15000 (1034)	
1/8	3/4	SS-HPA-NS2-RT12	1.08 (27.4)	1.06 (27.0)	0.41 (10.4)	0.75 (19.1)	0.31 (8.0)	10000 (690)	
1/4	1/8	SS-HPA-NS4-RT2	1.25 (31.8)	0.94 (23.8)	0.59 (15.0)	0.38 (9.7)	0.19 (4.8)	15000 (1034)	
1/4	1/4	SS-HPA-NS4-RT4	1.37 (34.9)	0.94 (23.8)	0.59 (15.0)	0.56 (14.2)	0.25 (6.4)	15000 (1034)	
1/4	3/8	SS-HPA-NS4-RT6	1.37 (34.9)	0.94 (23.8)	0.59 (15.0)	0.56 (14.2)	0.31 (7.9)	15000 (1034)	
1/4	1/2	SS-HPA-NS4-RT8	1.58 (40.1)	0.94 (23.8)	0.59 (15.0)	0.75 (19.1)	0.38 (9.6)	15000 (1034)	
1/4	3/4	SS-HPA-NS4-RT12	1.34 (34.1)	1.06 (27.0)	0.59 (15.0)	0.75 (19.1)	0.41 (10.4)	10000 (690)	
1/4	1	SS-HPA-NS4-RT16	1.37 (34.8)	1.37 (34.9)	0.59 (15.0)	0.94 (23.9)	0.41 (10.4)	10000 (690)	
3/8	1/4	SS-HPA-NS6-RT4	1.42 (36.0)	1.13 (28.6)	0.59 (15.0)	0.56 (14.2)	0.25 (6.4)	15000 (1034)	
3/8	3/8	SS-HPA-NS6-RT6	1.42 (36.0)	1.13 (28.6)	0.59 (15.0)	0.56 (14.2)	0.31 (7.9)	15000 (1034)	
3/8	1/2	SS-HPA-NS6-RT8	1.61 (41.0)	1.13 (28.6)	0.59 (15.0)	0.75 (19.1)	0.38 (9.6)	15000 (1034)	
3/8	3/4	SS-HPA-NS6-RT12	1.61 (41.0)	1.06(27.0)	0.59 (15.0)	0.75 (19.1)	0.54 (13.8)	10000 (690)	
3/8	1	SS-HPA-NS6-RT16	1.47 (37.3)	1.37 (34.9)	0.59 (15.0)	0.94 (23.9)	0.54 (13.8)	10000 (690)	
1/2	1/4	SS-HPA-NS8-RT4	1.72 (43.1)	1.37 (34.9)	0.78 (19.8)	0.56 (14.2)	0.25 (6.4)	15000 (1034)	
1/2	3/8	SS-HPA-NS8-RT6	1.72 (43.1)	1.37 (34.9)	0.78 (19.8)	0.56 (14.2)	0.31 (7.9)	15000 (1034)	
1/2	1/2	SS-HPA-NS8-RT8	1.89 (48.0)	1.37 (34.9)	0.78 (19.8)	0.75 (19.1)	0.38 (9.6)	15000 (1034)	
1/2	3/4	SS-HPA-NS8-RT12	1.89 (48.0)	1.19 (30.2)	0.78 (19.8)	0.75 (19.1)	0.58 (14.8)	10000 (690)	
1/2	1	SS-HPA-NS8-RT16	2.08 (52.8)	1.37 (34.9)	0.78 (19.8)	0.94 (23.9)	0.67 (17.0)	10000 (690)	
3/4	1/2	SS-HPA-NS12-RT8	1.89 (48.1)	1.50 (38.1)	0.81 (20.6)	0.75 (19.1)	0.47 (11.9)	10000 (690)	
3/4	3/4	SS-HPA-NS12-RT12	1.89 (48.1)	1.50 (38.1)	0.81 (20.6)	0.75 (19.1)	0.58 (14.8)	10000 (690)	
3/4	1	SS-HPA-NS12-RT16	2.08 (52.9)	1.50 (38.1)	0.81 (20.6)	0.94 (23.9)	0.79 (20.0)	10000 (690)	
1	1/2	SS-HPA-NS16-RT8	2.10 (53.3)	1.75 (44.5)	1.00 (25.4)	0.75 (19.1)	0.47 (11.9)	10000 (690)	
1	3/4	SS-HPA-NS16-RT12	2.10 (53.3)	1.75 (44.5)	1.00 (25.4)	0.75 (19.1)	0.58 (14.8)	10000 (690)	
1	1	SS-HPA-NS16-RT16	2.29 (58.1)	1.75 (44.5)	1.00 (25.4)	0.94 (23.9)	0.79 (20.0)	10000 (690)	

Medium & High Pressure Fittings and Tubing  
 Quick Couplings  
 Medium & High Pressure Valves  
 Line Filters  
 Sour Service Products  
 Subsea Valves  
 Tools and Installation Instructions  
 Technical Information

## Adapters



Female ISO/BSP Tapered Threads			Male ISO/BSP Tapered Threads					
P-ISO/BSP Tapered Size, in.	Px-ISO/BSP Tapered Size, in.	Ordering Number	Dimensions, in. (mm)					Working Pressure psig (bar)
			L	F	B	Bx	E	
1/8	1/8	SS-HPA-RT2	0.96 (24.5)	0.63 (15.9)	0.41 (10.4)	0.38 (9.7)	0.19 (4.8)	15000 (1034)
1/8	1/4	SS-HPA-RT2-RT4	1.13 (28.8)	0.63 (15.9)	0.41 (10.4)	0.56 (14.2)	0.25 (6.4)	15000 (1034)
1/8	3/8	SS-HPA-RT2-RT6	1.14 (29.0)	0.69 (17.5)	0.41 (10.4)	0.56 (14.2)	0.31 (7.9)	15000 (1034)
1/8	1/2	SS-HPA-RT2-RT8	1.08 (27.4)	0.87 (22.2)	0.41 (10.4)	0.75 (19.1)	0.31 (8.0)	15000 (1034)
1/8	3/4	SS-HPA-RT2-RT12	1.08 (27.4)	1.06 (27.0)	0.41 (10.4)	0.75 (19.1)	0.31 (8.0)	10000 (690)
1/4	1/8	SS-HPA-RT4-RT2	1.25 (31.8)	0.94 (23.8)	0.59 (15.0)	0.38 (9.7)	0.19 (4.8)	15000 (1034)
1/4	1/4	SS-HPA-RT4	1.37 (34.9)	0.94 (23.8)	0.59 (15.0)	0.56 (14.2)	0.25 (6.4)	15000 (1034)
1/4	3/8	SS-HPA-RT4-RT6	1.37 (34.9)	0.94 (23.8)	0.59 (15.0)	0.56 (14.2)	0.31 (7.9)	15000 (1034)
1/4	1/2	SS-HPA-RT4-RT8	1.58 (40.1)	0.94 (23.8)	0.59 (15.0)	0.75 (19.1)	0.38 (9.6)	15000 (1034)
1/4	3/4	SS-HPA-RT4-RT12	1.34 (34.1)	1.06 (27.0)	0.59 (15.0)	0.75 (19.1)	0.41 (10.4)	10000 (690)
1/4	1	SS-HPA-RT4-RT16	1.37 (34.8)	1.37 (34.9)	0.59 (15.0)	0.94 (23.9)	0.41 (10.4)	10000 (690)
3/8	1/4	SS-HPA-RT6-RT4	1.42 (36.0)	1.13 (28.6)	0.59 (15.0)	0.56 (14.2)	0.25 (6.4)	15000 (1034)
3/8	3/8	SS-HPA-RT6	1.42 (36.0)	1.13 (28.6)	0.59 (15.0)	0.56 (14.2)	0.31 (7.9)	15000 (1034)
3/8	1/2	SS-HPA-RT6-RT8	1.61 (41.0)	1.13 (28.6)	0.59 (15.0)	0.75 (19.1)	0.38 (9.6)	15000 (1034)
3/8	3/4	SS-HPA-RT6-RT12	1.61 (41.0)	1.06 (27.0)	0.59 (15.0)	0.75 (19.1)	0.54 (13.8)	10000 (690)
3/8	1	SS-HPA-RT6-RT16	1.47 (37.3)	1.37 (34.9)	0.59 (15.0)	0.94 (23.9)	0.54 (13.8)	10000 (690)
1/2	1/4	SS-HPA-RT8-RT4	1.72 (43.1)	1.37 (34.9)	0.78 (19.8)	0.56 (14.2)	0.25 (6.4)	15000 (1034)
1/2	3/8	SS-HPA-RT8-RT6	1.72 (43.1)	1.37 (34.9)	0.78 (19.8)	0.56 (14.2)	0.31 (7.9)	15000 (1034)
1/2	1/2	SS-HPA-RT8	1.89 (48.0)	1.37 (34.9)	0.78 (19.8)	0.75 (19.1)	0.38 (9.6)	15000 (1034)
1/2	3/4	SS-HPA-RT8-RT12	1.89 (48.0)	1.19 (30.2)	0.78 (19.8)	0.75 (19.1)	0.58 (14.8)	10000 (690)
1/2	1	SS-HPA-RT8-RT16	2.08 (52.8)	1.37 (34.9)	0.78 (19.8)	0.94 (23.9)	0.69 (17.4)	10000 (690)
3/4	1/2	SS-HPA-RT12-RT8	1.89 (48.1)	1.50 (38.1)	0.81 (20.6)	0.75 (19.1)	0.47 (11.9)	10000 (690)
3/4	3/4	SS-HPA-RT12	1.89 (48.1)	1.50 (38.1)	0.81 (20.6)	0.75 (19.1)	0.58 (14.8)	10000 (690)
3/4	1	SS-HPA-RT12-RT16	2.08 (52.9)	1.50 (38.1)	0.81 (20.6)	0.94 (23.9)	0.79 (20.0)	10000 (690)
1	1/2	SS-HPA-RT16-RT8	2.10 (53.3)	1.75 (44.5)	1.00 (25.4)	0.75 (19.1)	0.47 (11.9)	10000 (690)
1	3/4	SS-HPA-RT16-RT12	2.10 (53.3)	1.75 (44.5)	1.00 (25.4)	0.75 (19.1)	0.58 (14.8)	10000 (690)
1	1	SS-HPA-RT16	2.29 (58.1)	1.75 (44.5)	1.00 (25.4)	0.94 (23.9)	0.79 (20.0)	10000 (690)

Medium &amp; High Pressure Fittings and Tubing

Quick Couplings

Medium &amp; High Pressure Valves

Line Filters

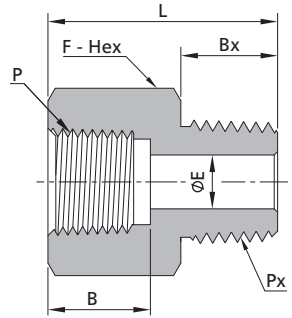
Sour Service Products

Subsea Valves

Tools and Installation Instructions

Technical Information

Adapters



Female ISO/BSP Tapered Threads			Dimensions, in. (mm)					Male NPT Threads
P-ISO/BSP Tapered Size, in.	Px-NPT Size, in.	Ordering Number	L	F	B	Bx	E	Working Pressure psig (bar)
			1/8	1/8	SS-HPA-RT2-NS2	0.96 (24.5)	0.63 (15.9)	
1/8	1/4	SS-HPA-RT2-NS4	1.13 (28.8)	0.63 (15.9)	0.41 (10.4)	0.56 (14.2)	0.25 (6.4)	15000 (1034)
1/8	3/8	SS-HPA-RT2-NS6	1.14 (29.0)	0.69 (17.5)	0.41 (10.4)	0.56 (14.2)	0.31 (7.9)	15000 (1034)
1/8	1/2	SS-HPA-RT2-NS8	1.08 (27.4)	0.87 (22.2)	0.41 (10.4)	0.75 (19.1)	0.31 (8.0)	15000 (1034)
1/8	3/4	SS-HPA-RT2-NS12	1.08 (27.4)	1.06 (27.0)	0.41 (10.4)	0.75 (19.1)	0.31 (8.0)	10000 (690)
1/4	1/8	SS-HPA-RT4-NS2	1.25 (31.8)	0.94 (23.8)	0.59 (15.0)	0.38 (9.7)	0.19 (4.8)	15000 (1034)
1/4	1/4	SS-HPA-RT4-NS4	1.37 (34.9)	0.94 (23.8)	0.59 (15.0)	0.56 (14.2)	0.25 (6.4)	15000 (1034)
1/4	3/8	SS-HPA-RT4-NS6	1.37 (34.9)	0.94 (23.8)	0.59 (15.0)	0.56 (14.2)	0.31 (7.9)	15000 (1034)
1/4	1/2	SS-HPA-RT4-NS8	1.58 (40.1)	0.94 (23.8)	0.59 (15.0)	0.75 (19.1)	0.38 (9.6)	15000 (1034)
1/4	3/4	SS-HPA-RT4-NS12	1.34 (34.1)	1.06 (27.0)	0.59 (15.0)	0.75 (19.1)	0.41 (10.4)	10000 (690)
1/4	1	SS-HPA-RT4-NS16	1.37 (34.8)	1.37 (34.9)	0.59 (15.0)	0.94 (23.9)	0.41 (10.4)	10000 (690)
3/8	1/4	SS-HPA-RT6-NS4	1.42 (36.0)	1.13 (28.6)	0.59 (15.0)	0.56 (14.2)	0.25 (6.4)	15000 (1034)
3/8	3/8	SS-HPA-RT6-NS6	1.42 (36.0)	1.13 (28.6)	0.59 (15.0)	0.56 (14.2)	0.31 (7.9)	15000 (1034)
3/8	1/2	SS-HPA-RT6-NS8	1.61 (41.0)	1.13 (28.6)	0.59 (15.0)	0.75 (19.1)	0.38 (9.6)	15000 (1034)
3/8	3/4	SS-HPA-RT6-NS12	1.61 (41.0)	1.06 (27.0)	0.59 (15.0)	0.75 (19.1)	0.54 (13.8)	10000 (690)
3/8	1	SS-HPA-RT6-NS16	1.47 (37.3)	1.37 (34.9)	0.59 (15.0)	0.94 (23.9)	0.54 (13.8)	10000 (690)
1/2	1/4	SS-HPA-RT8-NS4	1.72 (43.1)	1.37 (34.9)	0.78 (19.8)	0.56 (14.2)	0.25 (6.4)	15000 (1034)
1/2	3/8	SS-HPA-RT8-NS6	1.72 (43.1)	1.37 (34.9)	0.78 (19.8)	0.56 (14.2)	0.31 (7.9)	15000 (1034)
1/2	1/2	SS-HPA-RT8-NS8	1.89 (48.0)	1.37 (34.9)	0.78 (19.8)	0.75 (19.1)	0.38 (9.6)	15000 (1034)
1/2	3/4	SS-HPA-RT8-NS12	1.89 (48.0)	1.19 (30.2)	0.78 (19.8)	0.75 (19.1)	0.58 (14.8)	10000 (690)
1/2	1	SS-HPA-RT8-NS16	2.08 (52.8)	1.37 (34.9)	0.78 (19.8)	0.94 (23.9)	0.69 (17.4)	10000 (690)
3/4	1/2	SS-HPA-RT12-NS8	1.89 (48.1)	1.50 (38.1)	0.81 (20.6)	0.75 (19.1)	0.47 (11.9)	10000 (690)
3/4	3/4	SS-HPA-RT12-NS12	1.89 (48.1)	1.50 (38.1)	0.81 (20.6)	0.75 (19.1)	0.58 (14.8)	10000 (690)
3/4	1	SS-HPA-RT12-NS16	2.08 (52.9)	1.50 (38.1)	0.81 (20.6)	0.94 (23.9)	0.79 (20.0)	10000 (690)
1	1/2	SS-HPA-RT16-NS8	2.10 (53.3)	1.75 (44.5)	1.00 (25.4)	0.75 (19.1)	0.47 (11.9)	10000 (690)
1	3/4	SS-HPA-RT16-NS12	2.10 (53.3)	1.75 (44.5)	1.00 (25.4)	0.75 (19.1)	0.58 (14.8)	10000 (690)
1	1	SS-HPA-RT16-NS16	2.29 (58.1)	1.75 (44.5)	1.00 (25.4)	0.94 (23.9)	0.79 (20.0)	10000 (690)

Medium & High Pressure Fittings and Tubing

Quick Couplings

Medium & High Pressure Valves

Line Filters

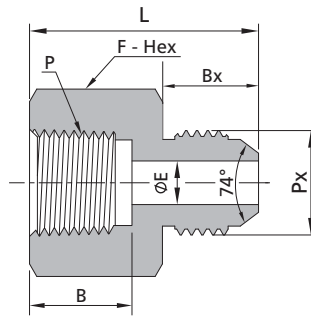
Surf Service Products

Subsea Valves

Tools and Installation Instructions

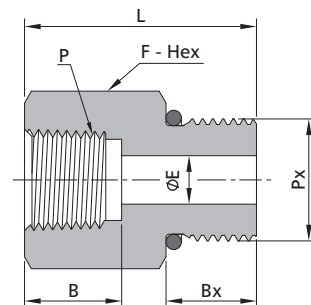
Technical Information

Adapters



Female NPT Threads			Dimensions, in. (mm)					Male JIC
P-NPT Size, in.	Px-SAE/MS Thread Size, in.	Ordering Number	L	F	B	Bx	E	Working Pressure psig (bar)
			1/8	7/16-20	SS-HPA-NS2-AN4	1.09 (27.8)	0.63 (15.9)	
1/4	7/16-20	SS-HPA-NS4-AN4	1.37 (34.9)	0.94 (23.8)	0.59 (15.0)	0.55 (14.0)	0.17 (4.4)	15000 (1034)
1/4	9/16-18	SS-HPA-NS4-AN6	1.32 (33.5)	0.94 (23.8)	0.59 (15.0)	0.56 (14.1)	0.23 (5.8)	15000 (1034)
3/8	9/16-18	SS-HPA-NS6-AN6	1.37 (34.8)	1.13 (28.6)	0.59 (15.0)	0.56 (14.1)	0.23 (5.8)	15000 (1034)
3/8	3/4-16	SS-HPA-NS6-AN8	1.47 (37.4)	1.13 (28.6)	0.59 (15.0)	0.66 (16.7)	0.31 (8.0)	15000 (1034)
1/2	3/4-16	SS-HPA-NS8-AN8	1.72 (43.6)	1.37 (34.9)	0.78 (19.8)	0.66 (16.7)	0.31 (8.0)	15000 (1034)
1/2	7/8-14	SS-HPA-NS8-AN10	1.82 (46.2)	1.37 (34.9)	0.78 (19.8)	0.76 (19.3)	0.41 (10.4)	15000 (1034)
1/2	1 1/16-12	SS-HPA-NS8-AN12	1.92 (48.8)	1.37 (34.9)	0.78 (19.8)	0.86 (21.9)	0.46 (11.6)	15000 (1034)
3/4	1 1/16-12	SS-HPA-NS12-AN12	1.89 (47.9)	1.50 (38.1)	0.81 (20.6)	0.86 (21.9)	0.61 (15.5)	10000 (690)
1	1 5/16-12	SS-HPA-NS16-AN16	2.18 (55.3)	1.75 (44.5)	1.00 (25.4)	0.91 (23.1)	0.84 (21.4)	10000 (690)

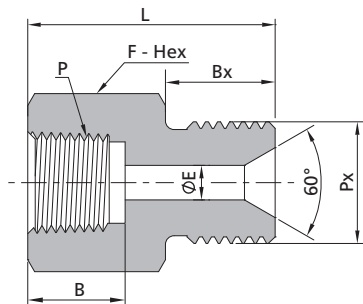
Adapters<sup>①</sup>



Female NPT Threads			Dimensions, in. (mm)					Male SAE/MS Straight Threads
P-NPT Size, in.	Px-SAE/MS Thread Size, in.	Ordering Number	L	F	B	Bx	E	Working Pressure psig (bar)
			1/4	7/16-20	SS-HPA-NS4-SH7	1.20 (30.5)	0.75 (19.1)	
3/8	9/16-18	SS-HPA-NS6-SH9	1.29 (32.7)	0.94 (23.8)	0.59 (15.0)	0.47 (12.0)	0.30 (7.5)	10000 (690)
1/2	3/4-16	SS-HPA-NS8-SH12	1.61 (40.9)	1.19 (30.2)	0.78 (19.8)	0.55 (14.0)	0.39 (10.0)	10000 (690)
3/4	7/8-14	SS-HPA-NS12-SH14	1.67 (42.5)	1.50 (38.1)	0.81 (20.6)	0.63 (16.0)	0.49 (12.5)	10000 (690)

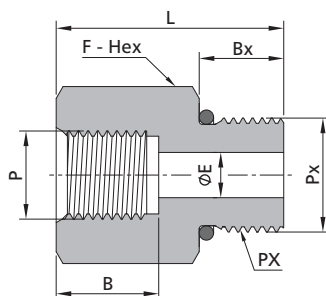
① SAE/MS Heavy-Duty Stud Ends are supplied with a Fluorocarbon FKM O-ring as standard, other materials of O-rings available.

Adapters



Female NPT Threads			Dimensions, in. (mm)					Male Type "M"
P-NPT Size, in.	Px-SAE/MS Thread Size, in.	Ordering Number	L	F	B	Bx	E	Working Pressure psig (bar)
			1/8	9/16-18	SS-HPA-NS2-HM9	1.13 (28.6)	0.63 (15.9)	
1/4	9/16-18	SS-HPA-NS4-HM9	1.37 (34.9)	0.94 (23.8)	0.59 (15.0)	0.50 (12.7)	0.09 (2.4)	15000 (1034)
1/4	3/4-16	SS-HPA-NS4-HM12	1.50 (38.1)	0.94 (23.8)	0.59 (15.0)	0.63 (16.0)	0.29 (7.4)	15000 (1034)
3/8	9/16-18	SS-HPA-NS6-HM9	1.44 (36.5)	1.13 (28.6)	0.59 (15.0)	0.50 (12.7)	0.09 (2.4)	15000 (1034)
3/8	3/4-16	SS-HPA-NS6-HM12	1.56 (39.7)	1.13 (28.6)	0.59 (15.0)	0.63 (16.0)	0.29 (7.4)	15000 (1034)
1/2	9/16-18	SS-HPA-NS8-HM9	1.63 (41.3)	1.37 (34.9)	0.78 (19.8)	0.50 (12.7)	0.09 (2.4)	15000 (1034)
1/2	3/4-16	SS-HPA-NS8-HM12	1.75 (44.4)	1.37 (34.9)	0.78 (19.8)	0.63 (16.0)	0.29 (7.4)	15000 (1034)
1/2	7/8-14	SS-HPA-NS8-HM14	1.87 (47.6)	1.37 (34.9)	0.78 (19.8)	0.76 (19.2)	0.15 (3.8)	15000 (1034)
3/4	1-12	SS-HPA-NS12-HM16	1.87 (47.6)	1.50 (38.1)	0.81 (20.6)	0.64 (16.3)	0.39 (10.0)	10000 (690)
1	1 5/16-12	SS-HPA-NS16-HM21	2.06 (52.4)	1.75 (44.5)	1.00 (25.4)	0.62 (15.7)	0.69 (17.5)	10000 (690)

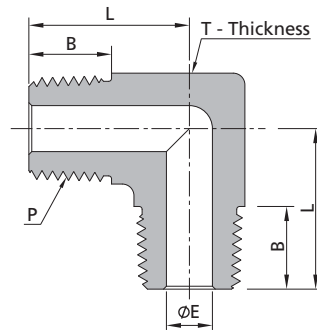
Adapters<sup>①</sup>



Female SAE/MS Straight Threads			Dimensions, in. (mm)					Male SAE/MS Straight Threads
P-SAE/MS Thread Size, in.	Px-SAE/MS Thread Size, in.	Ordering Number	L	F	B	Bx	E	Working Pressure psig (bar)
			7/16-20	9/16-18	SS-HPA-US7-SH9	1.25 (31.8)	0.81 (20.6)	
7/16-20	3/4-16	SS-HPA-US7-SH12	1.25 (31.8)	0.87 (22.2)	0.55 (14.0)	0.55 (14.0)	0.18 (4.5)	10000 (690)
9/16-18	3/4-16	SS-HPA-US9-SH12	1.42 (36.0)	1.00 (25.4)	0.61 (15.5)	0.55 (14.0)	0.30 (7.5)	10000 (690)
9/16-18	7/8-14	SS-HPA-US9-SH14	1.42 (36.0)	1.00 (25.4)	0.61 (15.5)	0.63 (16.0)	0.30 (7.5)	10000 (690)
3/4-16	7/8-14	SS-HPA-US12-SH14	1.65 (41.8)	30.2 (30.2)	0.69 (17.5)	0.63 (16.0)	0.39 (10.0)	10000 (690)

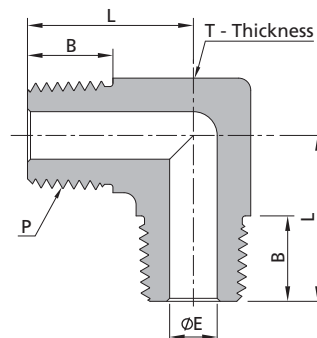
① SAE/MS Heavy-Duty Stud Ends are supplied with a Fluorocarbon FKM O-ring as standard, other materials of O-rings available.

Male Elbows



Male NPT Threads						
P-NPT Size, in.	Ordering Number	Dimensions, in. (mm)				Working Pressure psig (bar)
		L	B	E	T	
1/8	SS-HPME-NS2	0.75 (19.1)	0.38 (9.7)	0.19 (4.8)	0.50 (12.7)	15000 (1034)
1/4	SS-HPME-NS4	1.00 (25.4)	0.56 (14.2)	0.25 (6.4)	0.63 (15.9)	15000 (1034)
3/8	SS-HPME-NS6	1.10 (28.0)	0.56 (14.2)	0.31 (7.9)	0.75 (19.1)	15000 (1034)
1/2	SS-HPME-NS8	1.44 (36.6)	0.75 (19.1)	0.38 (9.6)	1.00 (25.4)	15000 (1034)
3/4	SS-HPME-NS12	1.56 (39.6)	0.75 (19.1)	0.58 (14.8)	1.37 (34.9)	10000 (690)
1	SS-HPME-NS16	1.89 (48.0)	0.94 (23.9)	0.79 (20.0)	1.50 (38.1)	10000 (690)

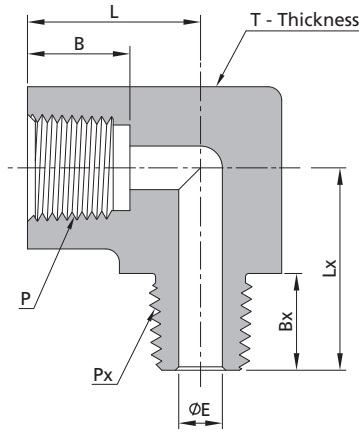
Male Elbows



Male ISO/BSP Tapered Pipe Threads						
P-ISO/BSP Tapered Size, in.	Ordering Number	Dimensions, in. (mm)				Working Pressure psig (bar)
		L	B	E	T	
1/8	SS-HPME-RT2	0.75 (19.1)	0.38 (9.7)	0.19 (4.8)	0.50 (12.7)	15000 (1034)
1/4	SS-HPME-RT4	1.00 (25.4)	0.56 (14.2)	0.25 (6.4)	0.63 (15.9)	15000 (1034)
3/8	SS-HPME-RT6	1.10 (28.0)	0.56 (14.2)	0.31 (7.9)	0.75 (19.1)	15000 (1034)
1/2	SS-HPME-RT8	1.44 (36.6)	0.75 (19.1)	0.38 (9.6)	1.00 (25.4)	15000 (1034)
3/4	SS-HPME-RT12	1.56 (39.6)	0.75 (19.1)	0.58 (14.8)	1.37 (34.9)	10000 (690)
1	SS-HPME-RT16	1.89 (48.0)	0.94 (23.9)	0.79 (20.0)	1.50 (38.1)	10000 (690)



Street Elbows



Female NPT Threads			Dimensions, in. (mm)							Male NPT Threads
P-NPT Size, in.	Px-NPT Size, in.	Ordering Number	L	B	E	Lx	Bx	T	Working Pressure psig (bar)	
1/8	1/8	SS-HPSE-NS2	0.75 (19.1)	0.41 (10.4)	0.19 (4.8)	0.75 (19.1)	0.38 (9.7)	0.63 (15.9)	15000 (1034)	
1/8	1/4	SS-HPSE-NS2-NS4	0.78 (19.8)	0.41 (10.4)	0.25 (6.4)	1.00 (25.4)	0.56 (14.2)	0.63 (15.9)	15000 (1034)	
1/8	3/8	SS-HPSE-NS2-NS6	0.95 (24.2)	0.41 (10.4)	0.31 (7.9)	1.07 (27.2)	0.56 (14.2)	0.75 (19.1)	15000 (1034)	
1/4	1/4	SS-HPSE-NS4	1.00 (25.4)	0.59 (15.0)	0.25 (6.4)	1.06 (27.0)	0.56 (14.2)	0.75 (19.1)	15000 (1034)	
1/4	3/8	SS-HPSE-NS4-NS6	1.00 (25.4)	0.59 (15.0)	0.31 (7.9)	1.06 (27.0)	0.56 (14.2)	0.75 (19.1)	15000 (1034)	
1/4	1/2	SS-HPSE-NS4-NS8	1.15 (29.1)	0.59 (15.0)	0.38 (9.6)	1.40 (35.5)	0.75 (19.1)	1.00 (25.4)	15000 (1034)	
3/8	3/8	SS-HPSE-NS6	1.20 (30.6)	0.59 (15.0)	0.31 (7.9)	1.20 (30.6)	0.56 (14.2)	1.00 (25.4)	15000 (1034)	
3/8	1/2	SS-HPSE-NS6-NS8	1.20 (30.6)	0.59 (15.0)	0.38 (9.6)	1.38 (35.0)	0.75 (19.1)	1.00 (25.4)	15000 (1034)	
3/8	3/4	SS-HPSE-NS6-NS12	1.23 (31.2)	0.59 (15.0)	0.54 (13.8)	1.56 (39.6)	0.75 (19.1)	1.37 (34.9)	10000 (690)	
1/2	1/2	SS-HPSE-NS8	1.50 (38.1)	0.78 (19.8)	0.38 (9.6)	1.61 (40.8)	0.75 (19.1)	1.37 (34.9)	15000 (1034)	
1/2	3/4	SS-HPSE-NS8-NS12	1.43 (36.2)	0.78 (19.8)	0.58 (14.8)	1.61 (40.8)	0.75 (19.1)	1.37 (34.9)	10000 (690)	
1/2	1	SS-HPSE-NS8-NS16	1.45 (36.9)	0.78 (19.8)	0.67 (17.0)	1.86 (47.3)	0.94 (23.9)	1.37 (34.9)	10000 (690)	
3/4	3/4	SS-HPSE-NS12	1.50 (38.1)	0.81 (20.6)	0.58 (14.8)	1.77 (44.9)	0.75 (19.1)	1.50 (38.1)	10000 (690)	
3/4	1	SS-HPSE-NS12-NS16	1.63 (41.4)	0.81 (20.6)	0.79 (20.0)	1.86 (47.3)	0.94 (23.9)	1.50 (38.1)	10000 (690)	
1	1	SS-HPSE-NS16	1.91 (48.5)	1.00 (25.4)	0.79 (20.0)	2.07 (52.5)	0.94 (23.9)	1.75 (44.5)	10000 (690)	

Medium & High Pressure Fittings and Tubing

Quick Couplings

Medium & High Pressure Valves

Line Filters

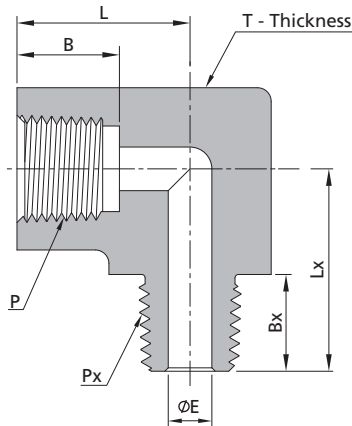
Surf Service Products

Subsea Valves

Tools and Installation Instructions

Technical Information

Street Elbows



Female ISO/BSP Tapered Pipe Threads			Male ISO/BSP Tapered Threads						
P-ISO/BSP Tapered Size, in.	Px-ISO/BSP Tapered Size, in.	Ordering Number	Dimensions, in. (mm)						Working Pressure psig (bar)
			L	B	E	Lx	Bx	T	
1/8	1/8	SS-HPSE-RT2	0.75 (19.1)	0.41 (10.4)	0.19 (4.8)	0.75 (19.1)	0.38 (9.7)	0.63 (15.9)	15000 (1034)
1/8	1/4	SS-HPSE-RT2-RT4	0.78 (19.8)	0.41 (10.4)	0.25 (6.4)	1.00 (25.4)	0.56 (14.2)	0.63 (15.9)	15000 (1034)
1/8	3/8	SS-HPSE-RT2-RT6	0.95 (24.2)	0.41 (10.4)	0.31 (7.9)	1.07 (27.2)	0.56 (14.2)	0.75 (19.1)	15000 (1034)
1/4	1/4	SS-HPSE-RT4	1.00 (25.4)	0.59 (15.0)	0.25 (6.4)	1.06 (27.0)	0.56 (14.2)	0.75 (19.1)	15000 (1034)
1/4	3/8	SS-HPSE-RT4-RT6	1.00 (25.4)	0.59 (15.0)	0.31 (7.9)	1.06 (27.0)	0.56 (14.2)	0.75 (19.1)	15000 (1034)
1/4	1/2	SS-HPSE-RT4-RT8	1.15 (29.1)	0.59 (15.0)	0.38 (9.6)	1.40 (35.5)	0.75 (19.1)	1.00 (25.4)	15000 (1034)
3/8	3/8	SS-HPSE-RT6	1.20 (30.6)	0.59 (15.0)	0.31 (7.9)	1.20 (30.6)	0.56 (14.2)	1.00 (25.4)	15000 (1034)
3/8	1/2	SS-HPSE-RT6-RT8	1.20 (30.6)	0.59 (15.0)	0.38 (9.6)	1.38 (35.0)	0.75 (19.1)	1.00 (25.4)	15000 (1034)
3/8	3/4	SS-HPSE-RT6-RT12	1.23 (31.2)	0.59 (15.0)	0.54 (13.8)	1.56 (39.6)	0.75 (19.1)	1.37 (34.9)	10000 (690)
1/2	1/2	SS-HPSE-RT8	1.50 (38.1)	0.78 (19.8)	0.38 (9.6)	1.61 (40.8)	0.75 (19.1)	1.37 (34.9)	15000 (1034)
1/2	3/4	SS-HPSE-RT8-RT12	1.43 (36.2)	0.78 (19.8)	0.58 (14.8)	1.61 (40.8)	0.75 (19.1)	1.37 (34.9)	10000 (690)
1/2	1	SS-HPSE-RT8-RT16	1.45 (36.9)	0.78 (19.8)	0.67 (17.0)	1.86 (47.3)	0.94 (23.9)	1.37 (34.9)	10000 (690)
3/4	3/4	SS-HPSE-RT12	1.50 (38.1)	0.81 (20.6)	0.58 (14.8)	1.77 (44.9)	0.75 (19.1)	1.50 (38.1)	10000 (690)
3/4	1	SS-HPSE-RT12-RT16	1.63 (41.4)	0.81 (20.6)	0.79 (20.0)	1.86 (47.3)	0.94 (23.9)	1.50 (38.1)	10000 (690)
1	1	SS-HPSE-RT16	1.91 (48.5)	1.00 (25.4)	0.79 (20.0)	2.07 (52.5)	0.94 (23.9)	1.75 (44.5)	10000 (690)

Medium & High Pressure Fittings and Tubing

Quick Couplings

Medium & High Pressure Valves

Line Filters

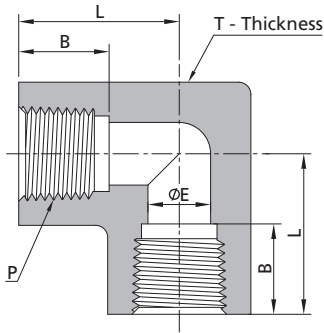
Sour Service Products

Subsea Valves

Tools and Installation Instructions

Technical Information

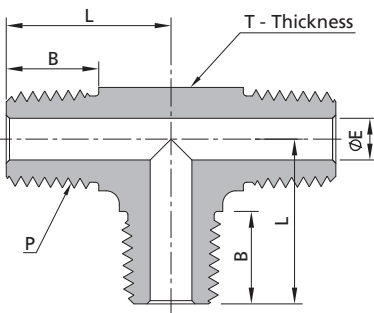
Female Elbows



Female NPT Threads						
P-NPT Size, in.	Ordering Number	Dimensions, in. (mm)				Working Pressure psig (bar)
		L	B	E	T	
1/8	SS-HPE-NS2	0.75 (19.1)	0.41 (10.4)	0.31 (8.0)	0.63 (15.9)	15000 (1034)
1/4	SS-HPE-NS4	1.00 (25.4)	0.59 (15.0)	0.41 (10.4)	0.75 (19.1)	15000 (1034)
3/8	SS-HPE-NS6	1.20 (30.6)	0.59 (15.0)	0.54 (13.8)	1.00 (25.4)	15000 (1034)
1/2	SS-HPE-NS8	1.50 (38.1)	0.78 (19.8)	0.67 (17.0)	1.37 (34.9)	15000 (1034)
3/4	SS-HPE-NS12	1.50 (38.1)	0.81 (20.6)	0.88 (22.3)	1.50 (38.1)	10000 (690)
1	SS-HPE-NS16	1.91 (48.5)	1.00 (25.4)	1.11 (28.1)	1.75 (44.5)	10000 (690)

Female ISO/BSP Tapered Threads						
P-ISO/BSP Tapered Size, in.	Ordering Number	Dimensions, in. (mm)				Working Pressure psig (bar)
		L	B	E	T	
1/8	SS-HPE-RT2	0.75 (19.1)	0.41 (10.4)	0.31 (8.0)	0.63 (15.9)	15000 (1034)
1/4	SS-HPE-RT4	1.00 (25.4)	0.59 (15.0)	0.41 (10.4)	0.75 (19.1)	15000 (1034)
3/8	SS-HPE-RT6	1.20 (30.6)	0.59 (15.0)	0.54 (13.8)	1.00 (25.4)	15000 (1034)
1/2	SS-HPE-RT8	1.50 (38.1)	0.78 (19.8)	0.69 (17.4)	1.37 (34.9)	15000 (1034)
3/4	SS-HPE-RT12	1.50 (38.1)	0.81 (20.6)	0.90 (22.8)	1.50 (38.1)	10000 (690)
1	SS-HPE-RT16	1.91 (48.5)	1.00 (25.4)	1.13 (28.7)	1.75 (44.5)	10000 (690)

Male Tees

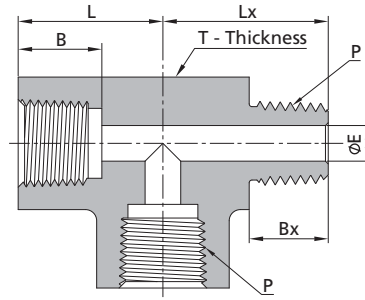


Male NPT Threads						
P-NPT Size, in.	Ordering Number	Dimensions, in. (mm)				Working Pressure psig (bar)
		L	B	E	T	
1/8	SS-HPMT-NS2	0.75 (19.1)	0.38 (9.7)	0.19 (4.8)	0.50 (12.7)	15000 (1034)
1/4	SS-HPMT-NS4	1.00 (25.4)	0.56 (14.2)	0.25 (6.4)	0.63 (15.9)	15000 (1034)
3/8	SS-HPMT-NS6	1.10 (28.0)	0.56 (14.2)	0.31 (7.9)	0.75 (19.1)	15000 (1034)
1/2	SS-HPMT-NS8	1.44 (36.6)	0.75 (19.1)	0.38 (9.6)	1.00 (25.4)	15000 (1034)
3/4	SS-HPMT-NS12	1.56 (39.6)	0.75 (19.1)	0.58 (14.8)	1.37 (34.9)	10000 (690)
1	SS-HPMT-NS16	1.89 (48.0)	0.94 (23.9)	0.79 (20.0)	1.50 (38.1)	10000 (690)

Male ISO/BSP Tapered Threads						
P-ISO/BSP Tapered Size, in.	Ordering Number	Dimensions, in. (mm)				Working Pressure psig (bar)
		L	B	E	T	
1/8	SS-HPMT-RT2	0.75 (19.1)	0.38 (9.7)	0.19 (4.8)	0.50 (12.7)	15000 (1034)
1/4	SS-HPMT-RT4	1.00 (25.4)	0.56 (14.2)	0.25 (6.4)	0.63 (15.9)	15000 (1034)
3/8	SS-HPMT-RT6	1.10 (28.0)	0.56 (14.2)	0.31 (7.9)	0.75 (19.1)	15000 (1034)
1/2	SS-HPMT-RT8	1.44 (36.6)	0.75 (19.1)	0.38 (9.6)	1.00 (25.4)	15000 (1034)
3/4	SS-HPMT-RT12	1.56 (39.6)	0.75 (19.1)	0.58 (14.8)	1.37 (34.9)	10000 (690)
1	SS-HPMT-RT16	1.89 (48.0)	0.94 (23.9)	0.79 (20.0)	1.50 (38.1)	10000 (690)

Medium & High Pressure Fittings and Tubing  
Quick Couplings  
Medium & High Pressure Valves  
Line Filters  
Sour Service Products  
Subsea Valves  
Tools and Installation Instructions  
Technical Information

Male Street Tees



NPT Threads								
P-NPT Size, in.	Ordering Number	Dimensions, in. (mm)						Working Pressure psig (bar)
		L	B	Lx	Bx	E	T	
1/8	SS-HPST-NS2	0.75 (19.1)	0.41 (10.4)	0.75 (19.1)	0.38 (9.7)	0.19 (4.8)	0.63 (15.9)	15000 (1034)
1/4	SS-HPST-NS4	1.00 (25.4)	0.59 (15.0)	1.06 (27.0)	0.56 (14.2)	0.25 (6.4)	0.75 (19.1)	15000 (1034)
3/8	SS-HPST-NS6	1.20 (30.6)	0.59 (15.0)	1.20 (30.6)	0.56 (14.2)	0.31 (7.9)	1.00 (25.4)	15000 (1034)
1/2	SS-HPST-NS8	1.50 (38.1)	0.78 (19.8)	1.61 (40.8)	0.75 (19.1)	0.38 (9.6)	1.37 (34.9)	15000 (1034)
3/4	SS-HPST-NS12	1.50 (38.1)	0.81 (20.6)	1.77 (44.9)	0.75 (19.1)	0.58 (14.8)	1.50 (38.1)	10000 (690)
1	SS-HPST-NS16	1.91 (48.5)	1.00 (25.4)	2.07 (52.5)	0.94 (23.9)	0.79 (20.0)	1.75 (44.5)	10000 (690)

ISO/BSP Tapered Pipe Threads								
P-ISO/BSP Tapered Size, in.	Ordering Number	Dimensions, in. (mm)						Working Pressure psig (bar)
		L	B	Lx	Bx	E	T	
1/8	SS-HPST-RT2	0.75 (19.1)	0.41 (10.4)	0.75 (19.1)	0.38 (9.7)	0.19 (4.8)	0.63 (15.9)	15000 (1034)
1/4	SS-HPST-RT4	1.00 (25.4)	0.59 (15.0)	1.06 (27.0)	0.56 (14.2)	0.25 (6.4)	0.75 (19.1)	15000 (1034)
3/8	SS-HPST-RT6	1.20 (30.6)	0.59 (15.0)	1.20 (30.6)	0.56 (14.2)	0.31 (7.9)	1.00 (25.4)	15000 (1034)
1/2	SS-HPST-RT8	1.50 (38.1)	0.78 (19.8)	1.61 (40.8)	0.75 (19.1)	0.38 (9.6)	1.37 (34.9)	15000 (1034)
3/4	SS-HPST-RT12	1.50 (38.1)	0.81 (20.6)	1.77 (44.9)	0.75 (19.1)	0.58 (14.8)	1.50 (38.1)	10000 (690)
1	SS-HPST-RT16	1.91 (48.5)	1.00 (25.4)	2.07 (52.5)	0.94 (23.9)	0.79 (20.0)	1.75 (44.5)	10000 (690)

Medium & High Pressure Fittings and Tubing

Quick Couplings

Medium & High Pressure Valves

Line Filters

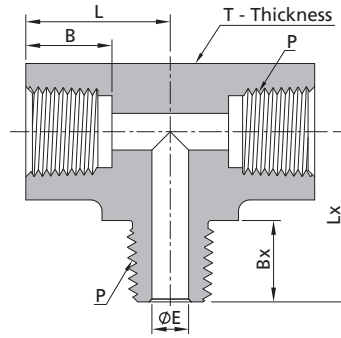
Sour Service Products

Subsea Valves

Tools and Installation Instructions

Technical Information

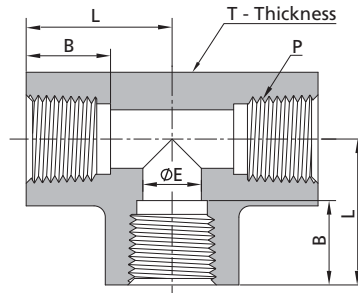
Male Branch Tees



NPT Threads								
P-NPT Size, in.	Ordering Number	Dimensions, in. (mm)						Working Pressure psig (bar)
		L	B	Lx	Bx	E	T	
1/8	SS-HPBT-NS2	0.75 (19.1)	0.41 (10.4)	0.75 (19.1)	0.38 (9.7)	0.19 (4.8)	0.63 (15.9)	15000 (1034)
1/4	SS-HPBT-NS4	1.00 (25.4)	0.59 (15.0)	1.06 (27.0)	0.56 (14.2)	0.25 (6.4)	0.75 (19.1)	15000 (1034)
3/8	SS-HPBT-NS6	1.20 (30.6)	0.59 (15.0)	1.20 (30.6)	0.56 (14.2)	0.31 (7.9)	1.00 (25.4)	15000 (1034)
1/2	SS-HPBT-NS8	1.50 (38.1)	0.78 (19.8)	1.61 (40.8)	0.75 (19.1)	0.38 (9.6)	1.37 (34.9)	15000 (1034)
3/4	SS-HPBT-NS12	1.50 (38.1)	0.81 (20.6)	1.77 (44.9)	0.75 (19.1)	0.58 (14.8)	1.50 (38.1)	10000 (690)
1	SS-HPBT-NS16	1.91 (48.5)	1.00 (25.4)	2.07 (52.5)	0.94 (23.9)	0.79 (20.0)	1.75 (44.5)	10000 (690)

ISO/BSP Tapered Pipe Threads								
P-ISO/BSP Tapered Size, in.	Ordering Number	Dimensions, in. (mm)						Working Pressure psig (bar)
		L	B	Lx	Bx	E	T	
1/8	SS-HPBT-RT2	0.75 (19.1)	0.41 (10.4)	0.75 (19.1)	0.38 (9.7)	0.19 (4.8)	0.63 (15.9)	15000 (1034)
1/4	SS-HPBT-RT4	1.00 (25.4)	0.59 (15.0)	1.06 (27.0)	0.56 (14.2)	0.25 (6.4)	0.75 (19.1)	15000 (1034)
3/8	SS-HPBT-RT6	1.20 (30.6)	0.59 (15.0)	1.20 (30.6)	0.56 (14.2)	0.31 (7.9)	1.00 (25.4)	15000 (1034)
1/2	SS-HPBT-RT8	1.50 (38.1)	0.78 (19.8)	1.61 (40.8)	0.75 (19.1)	0.38 (9.6)	1.37 (34.9)	15000 (1034)
3/4	SS-HPBT-RT12	1.50 (38.1)	0.81 (20.6)	1.77 (44.9)	0.75 (19.1)	0.58 (14.8)	1.50 (38.1)	10000 (690)
1	SS-HPBT-RT16	1.91 (48.5)	1.00 (25.4)	2.07 (52.5)	0.94 (23.9)	0.79 (20.0)	1.75 (44.5)	10000 (690)

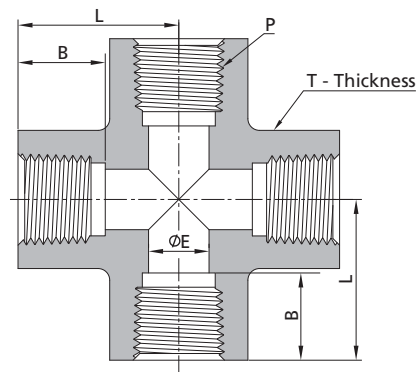
Female Tees



Female NPT Threads						
P-NPT Size, in.	Ordering Number	Dimensions, in. (mm)				Working Pressure psig (bar)
		L	B	E	T	
1/8	SS-HPT-NS2	0.75 (19.1)	0.41 (10.4)	0.31 (8.0)	0.63 (15.9)	15000 (1034)
1/4	SS-HPT-NS4	1.00 (25.4)	0.59 (15.0)	0.41 (10.4)	0.75 (19.1)	15000 (1034)
3/8	SS-HPT-NS6	1.20 (30.6)	0.59 (15.0)	0.54 (13.8)	1.00 (25.4)	15000 (1034)
1/2	SS-HPT-NS8	1.50 (38.1)	0.78 (19.8)	0.67 (17.0)	1.37 (34.9)	15000 (1034)
3/4	SS-HPT-NS12	1.50 (38.1)	0.81 (20.6)	0.88 (22.3)	1.50 (38.1)	10000 (690)
1	SS-HPT-NS16	1.91 (48.5)	1.00 (25.4)	1.11 (28.1)	1.75 (44.5)	10000 (690)

Female ISO/BSP Tapered Pipe Threads						
P-ISO/BSP Tapered Size, in.	Ordering Number	Dimensions, in. (mm)				Working Pressure psig (bar)
		L	B	E	T	
1/8	SS-HPT-RT2	0.75 (19.1)	0.41 (10.4)	0.31 (8.0)	0.63 (15.9)	15000 (1034)
1/4	SS-HPT-RT4	1.00 (25.4)	0.59 (15.0)	0.41 (10.4)	0.75 (19.1)	15000 (1034)
3/8	SS-HPT-RT6	1.20 (30.6)	0.59 (15.0)	0.54 (13.8)	1.00 (25.4)	15000 (1034)
1/2	SS-HPT-RT8	1.50 (38.1)	0.78 (19.8)	0.69 (17.4)	1.37 (34.9)	15000 (1034)
3/4	SS-HPT-RT12	1.50 (38.1)	0.81 (20.6)	0.90 (22.8)	1.50 (38.1)	10000 (690)
1	SS-HPT-RT16	1.91 (48.5)	1.00 (25.4)	1.13 (28.7)	1.75 (44.5)	10000 (690)

## Female Crosses

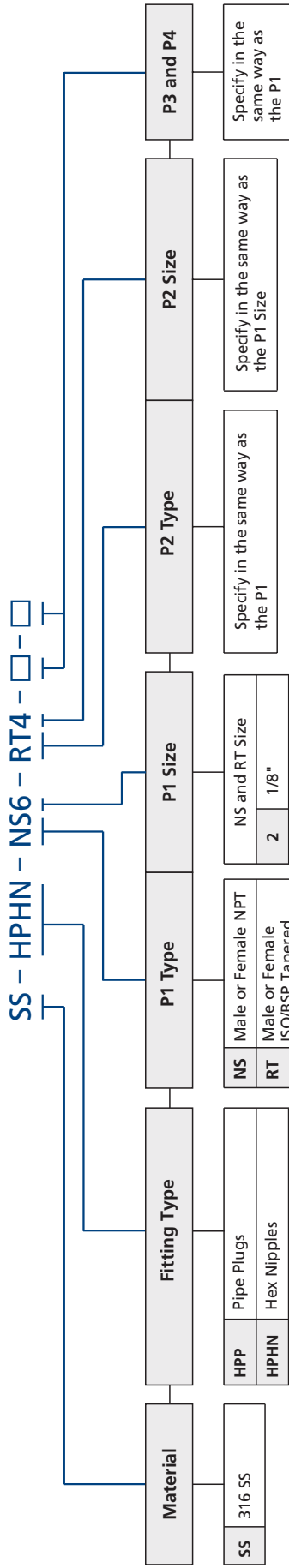


Female NPT Threads						
P-NPT Size, in.	Ordering Number	Dimensions, in. (mm)				Working Pressure psig (bar)
		L	B	E	T	
1/8	SS-HPCR-NS2	0.75 (19.1)	0.41 (10.4)	0.31 (8.0)	0.63 (15.9)	15000 (1034)
1/4	SS-HPCR-NS4	1.00 (25.4)	0.59 (15.0)	0.41 (10.4)	0.75 (19.1)	15000 (1034)
3/8	SS-HPCR-NS6	1.20 (30.6)	0.59 (15.0)	0.54 (13.8)	1.00 (25.4)	15000 (1034)
1/2	SS-HPCR-NS8	1.50 (38.1)	0.78 (19.8)	0.67 (17.0)	1.37 (34.9)	15000 (1034)
3/4	SS-HPCR-NS12	1.50 (38.1)	0.81 (20.6)	0.88 (22.3)	1.50 (38.1)	10000 (690)
1	SS-HPCR-NS16	1.91 (48.5)	1.00 (25.4)	1.11 (28.1)	1.75 (44.5)	10000 (690)

Female ISO/BSP Tapered Pipe Threads						
P-ISO/BSP Tapered Size, in.	Ordering Number	Dimensions, in. (mm)				Working Pressure psig (bar)
		L	B	E	T	
1/8	SS-HPCR-RT2	0.75 (19.1)	0.41 (10.4)	0.31 (8.0)	0.63 (15.9)	15000 (1034)
1/4	SS-HPCR-RT4	1.00 (25.4)	0.59 (15.0)	0.41 (10.4)	0.75 (19.1)	15000 (1034)
3/8	SS-HPCR-RT6	1.20 (30.6)	0.59 (15.0)	0.54 (13.8)	1.00 (25.4)	15000 (1034)
1/2	SS-HPCR-RT8	1.50 (38.1)	0.78 (19.8)	0.69 (17.4)	1.37 (34.9)	15000 (1034)
3/4	SS-HPCR-RT12	1.50 (38.1)	0.81 (20.6)	0.90 (22.8)	1.50 (38.1)	10000 (690)
1	SS-HPCR-RT16	1.91 (48.5)	1.00 (25.4)	1.13 (28.7)	1.75 (44.5)	10000 (690)

NOTE: All dimensions are for reference only and subject to change.

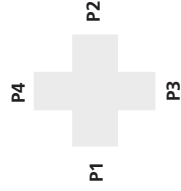
### Ordering Number Description



Material
SS 316 SS

Fitting Type	P1 Type	P1 Size	P2 Type	P2 Size	P3 and P4
HPP Pipe Plugs	NS Male or Female NPT	NS and RT Size			
HPHN Hex Nipples	RT Male or Female ISO/BSP Tapered	2 1/8"			
HPLN Hex Long Nipples	SH Heavy-Duty Stud Ends (SAE J1926-2, ISO 11926-2)	4 1/4"			
HPC Pipe Caps	US Ports with O-ring seal in truncated housing (SAE J1926-1, ISO 11926-1)	6 3/8"			
HMC Pipe Cap Assemblies (Moveable Insert)	AN Male or Female JIC (37° Flare)	8 1/2"			
HPCG Hex Couplings	AS Female Swivel JIC (37° Flare)	12 3/4"			
HPZC Zero-Clearance Unions	HM Male Type "M"	16 1"			
HPA Adapters		SH, US and HM Thread Size			
HPME Male Elbows		7 7/16-20			
HPSE Street Elbows		9 9/16-18			
HPE Female Elbows		12 3/4-16			
HPMT Male Tees		14 7/8-14			
HPST Male Street Tees		16 1-12			
HPBT Male Branch Tees		21 1 5/16-12			
HPT Female Tees		AN and AS Thread Size			
HPCR Female Crosses		4 7/16-20			
		6 9/16-18			
		8 3/4-16			
		10 7/8-14			
		12 1 1/16-12			
		16 1 5/16-12			

NOTE: "Ordering Number Description" is a reference to understand the combination rules of FITOK product part number. Not all combinations are available.



P1, P2, P3 and P4 shall be described in the following orders:

- ☉ Describe the female thread end first if there is any
- ☉ For male connections: NPT - ISO/BSP Tapered - Heavy-Duty Stud Ends - JIC (37° Flare) - Male Type "M"
- ☉ For female connections: NPT - ISO/BSP Tapered - Ports with O-ring seal in truncated housing - JIC (37° Flare)
- ☉ Describe in descending order as per size if the end connection types are the same
- ☉ Describe the end of P1 if all end connections are the same

## **FITOK Group**

### **FITOK GmbH (Headquarter)**

Spremlinger Landstr. 115, 63069 Offenbach am Main, Germany  
Tel.: +49 69 8900 4498 Fax: +49 69 8900 4495

### **FITOK, Inc.**

13843 North Promenade Blvd., Suite 750, Stafford, Texas 77477, USA  
Tel.: +1 281 888 0077 Fax: +1 281 582 4051

### **FITOK Incorporated**

Block C, Zone E, Yingtai Industrial Park, Dalang  
Street, Longhua District, Shenzhen, 518109, China  
Tel.: +86 755 2803 2500 Fax: +86 755 2803 2619

### **FITOK Middle East Oil Equipment Trading LLC**

208-209, Makateb Building, Airport Road, P.O.Box 185412, Deira, Dubai, UAE  
Tel.: +971 4 2959 853 Fax: +971 4 2959 854

[info@fitokgroup.com](mailto:info@fitokgroup.com)  
[www.fitokgroup.com](http://www.fitokgroup.com)

FK-IC-GF-12-ZH-171225