

# Bleed Valves

## RB Series



# Bleed Valves

## RB Series

### Introduction

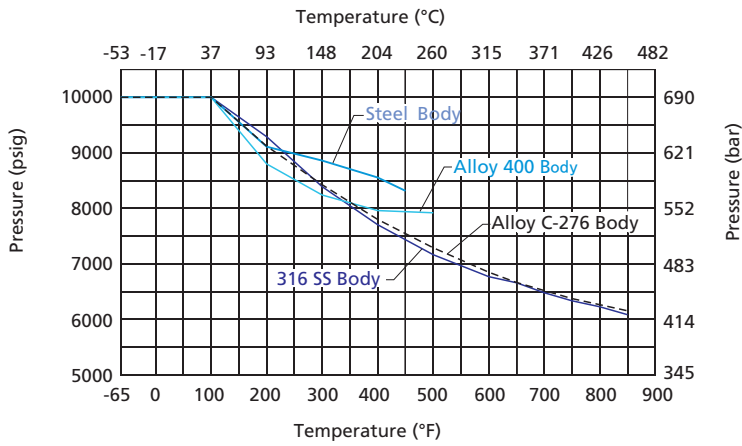
Bleed valves can be used on instrument devices such as multi-valve manifolds or gauge valves to vent signal line pressure to atmosphere before removal of an instrument or to assist in calibration.

### Features

- ⦿ Compact design for easy installation
- ⦿ Hardened stem and tip to extend cycle life
- ⦿ Working pressure up to: 10000 psig (690 bar)
- ⦿ Working temperature: -65°F to 850°F (-54°C to 454°C)
- ⦿ Variety of end connections
- ⦿ Leak-tight performance testing with Nitrogen or compressed air for every valve at the rated pressure (not higher than 6000 psig) to meet the requirement of no visible leak



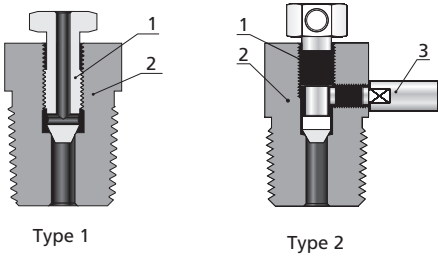
## Pressure vs. Temperature



Note: Ratings based on all metal seals. Ratings limited to:

- -20°F (-28°C) min with steel.
- 450°F (232°C) max with SAE end connections using fluorocarbon FKM O-rings.
- 4500 psig (310 bar) max with SAE end connections.

## Standard Materials of Construction



Component		Valve Body Material Grade/ASTM Specification			
		316 SS	Carbon Steel	Alloy 400	Alloy C-276
1	<i>Stem</i>	<i>Hardened 316 SS/A479</i>			
2	<i>Body</i>	316 SS/A479	1018/A108	<i>Alloy 400/B164</i>	<i>C-276/B574</i>
3	<i>Vent tube</i>	316 SS/A479			

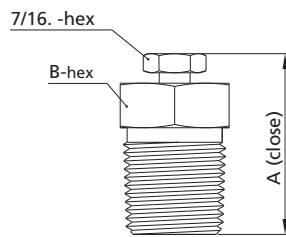
Note: Wetted components are listed in italics.

1. Hydrocarbon carrier.
2. Contact FITOK Group or our authorized distributors for other materials.

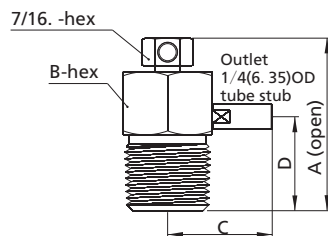
## Dimensions

Dimensions, in inches (millimeters), are for reference only and are subject to change.

### Type 1



### Type 2



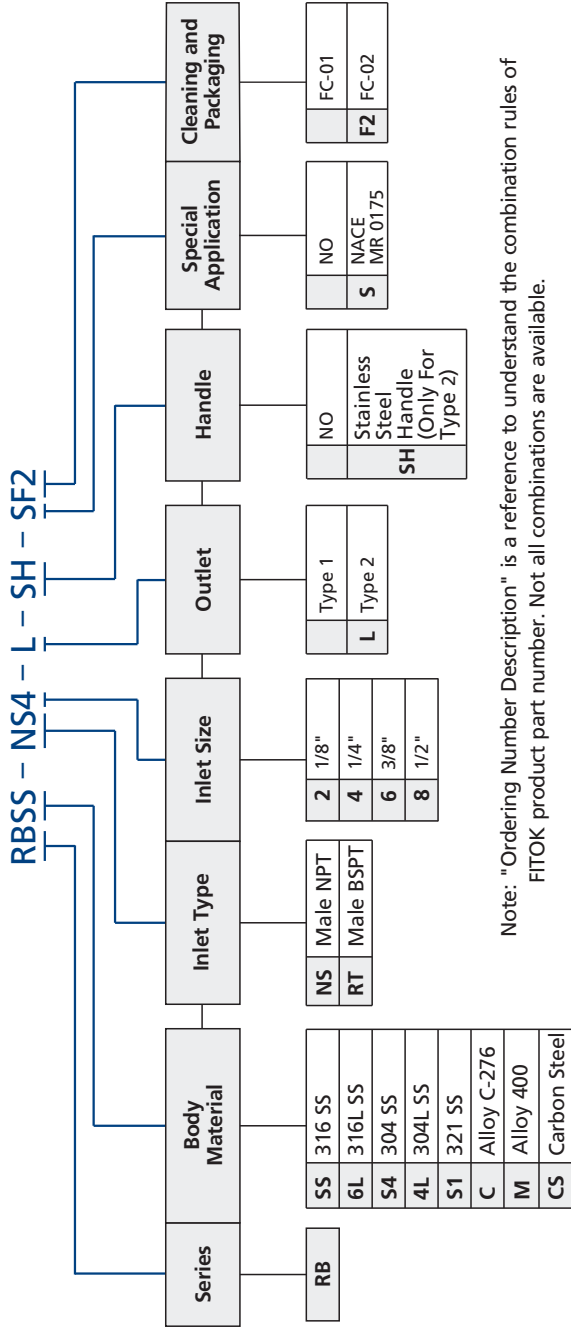
Type	Basic Ordering Number	Inlet Type and Size	Dimensions, in. (mm)			
			A	B	C	D
Type 1	RB□□-NS4	1/4 Male NPT	1.31 (33.4)	5/8 (15.9)	—	—
	RB□□-NS6	3/8 Male NPT	1.46 (37.1)	7/8 (22.2)		
	RB□□-NS8	1/2 Male NPT				
	RB□□-RT4	1/4 Male BSPT	1.31 (33.4)	5/8 (15.9)		
	RB□□-RT6	3/8 Male BSPT	1.46 (37.1)	7/8 (22.2)		
	RB□□-RT8	1/2 Male BSPT				
Type 2	RB□□-NS4-L	1/4 Male NPT	1.65 (41.8)	5/8 (15.9)	0.94 (24)	0.78 (19.7)
	RB□□-NS6-L	3/8 Male NPT	1.78 (45.1)	7/8 (22.2)	1.03 (26.2)	0.91 (23)
	RB□□-NS8-L	1/2 Male NPT			1.04 (26.3)	
	RB□□-RT4-L	1/4 Male BSPT	1.65 (41.8)	5/8 (15.9)	0.94 (24)	0.78 (19.7)
	RB□□-RT6-L	3/8 Male BSPT	1.78 (45.1)	7/8 (22.2)	1.03 (26.2)	0.91 (23)
	RB□□-RT8-L	1/2 Male BSPT			1.04 (26.3)	

Sizes and types listed are standard. Other sizes and types are available upon request.

## Caution

When installing a bleed valve, position the vent tube to direct system fluid away from operating personnel. Always open bleed valves slowly. These valves contain no packing, so some fluid weepage will occur when the valves are opened. Operating personnel must protect themselves from exposure to system fluids.

**Ordering Number Description**



Note: "Ordering Number Description" is a reference to understand the combination rules of FITOK product part number. Not all combinations are available.

*Cleaning and Packaging:*  
 FC-01: Standard cleaning and packaging for general industrial procedures.  
 FC-02: Special cleaning and packaging for wetted system components to ensure compliance with product cleanliness requirement of ASTM G93 Level C.

## **FITOK Group**

### **FITOK GmbH (Headquarter)**

Sprendlinger Landstr. 115, 63069 Offenbach am Main, Germany  
Tel.: +49 69 8900 4498 Fax: +49 69 8900 4495

### **FITOK, Inc.**

13843 North Promenade Blvd., Suite 750, Stafford, Texas 77477, USA  
Tel.: +1 281 888 0077 Fax: +1 281 582 4051

### **FITOK Incorporated**

Block C, Zone E, Yingtai Industrial Park, Dalang Street,  
Longhua District, Shenzhen, 518109, China  
Tel.: +86 755 2803 2500 Fax: +86 755 2803 2619

### **FITOK Middle East Oil Equipment Trading LLC**

208-209, Makateb Building, Airport Road, P.O.Box 185412, Deira, Dubai, UAE  
Tel.: +971 4 2959 853 Fax: +971 4 2959 854

[info@fitokgroup.com](mailto:info@fitokgroup.com)  
[www.fitokgroup.com](http://www.fitokgroup.com)

FK-IC-GV-02-EN-180808