

Air Headers and Distribution Manifolds

AH and CM Series



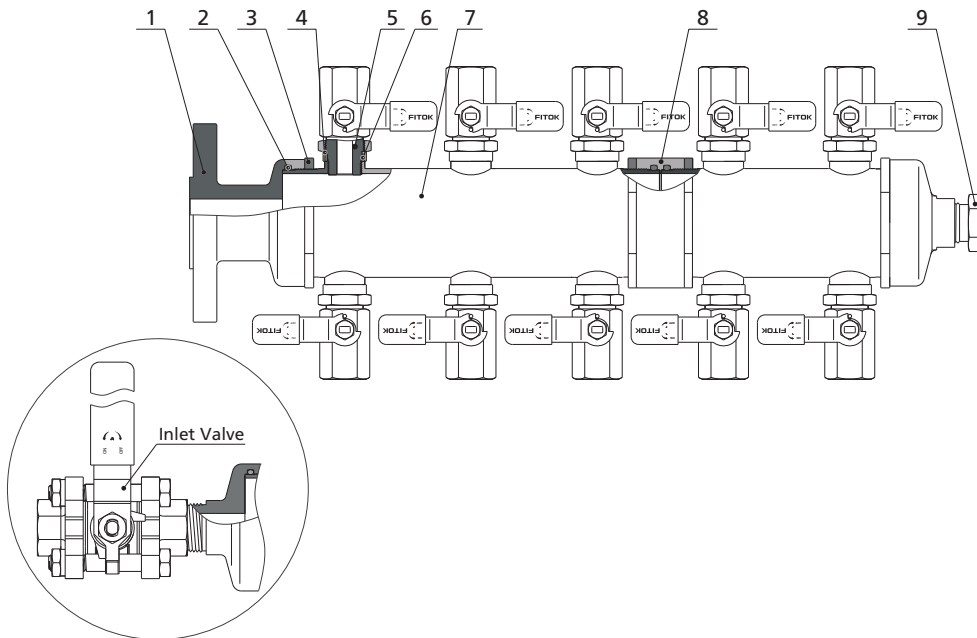
Air Headers
Distribution Manifolds

AH Series Air Headers

Features

- ⦿ Working pressure up to 1000 psig
- ⦿ Working temperature: 0 to 250°F (-18 to 121°C)
- ⦿ Modular design for easy installation and maintenance
- ⦿ Standard module with 4 or 6 outlets available as an accessory and can be ordered separately
- ⦿ Multiple choices of inlet and vent types, and in-line replacement available
- ⦿ Every air header leak tested at factory with air or Nitrogen at rated working pressure

Major Materials of Construction



| Item | Component | Material | |
|------|----------------|-----------------------|--------|
| 1 | Inlet Valve | BG series ball valves | |
| | Flange/Fitting | 316 SS | 304 SS |
| 2 | O-ring | NBR | |
| 3 | Lock Nut | 304 SS | |
| 4 | Support Ring | 304 SS | |
| 5 | Outlet Valve | BR series ball valves | |
| 6 | Seal Ring | PTFE | |
| 7 | Main Line | 316 SS | 304 SS |
| 8 | Connection Nut | 316 SS | 304 SS |
| 9 | Plug | 316 SS | 304 SS |

Standard Connection Types

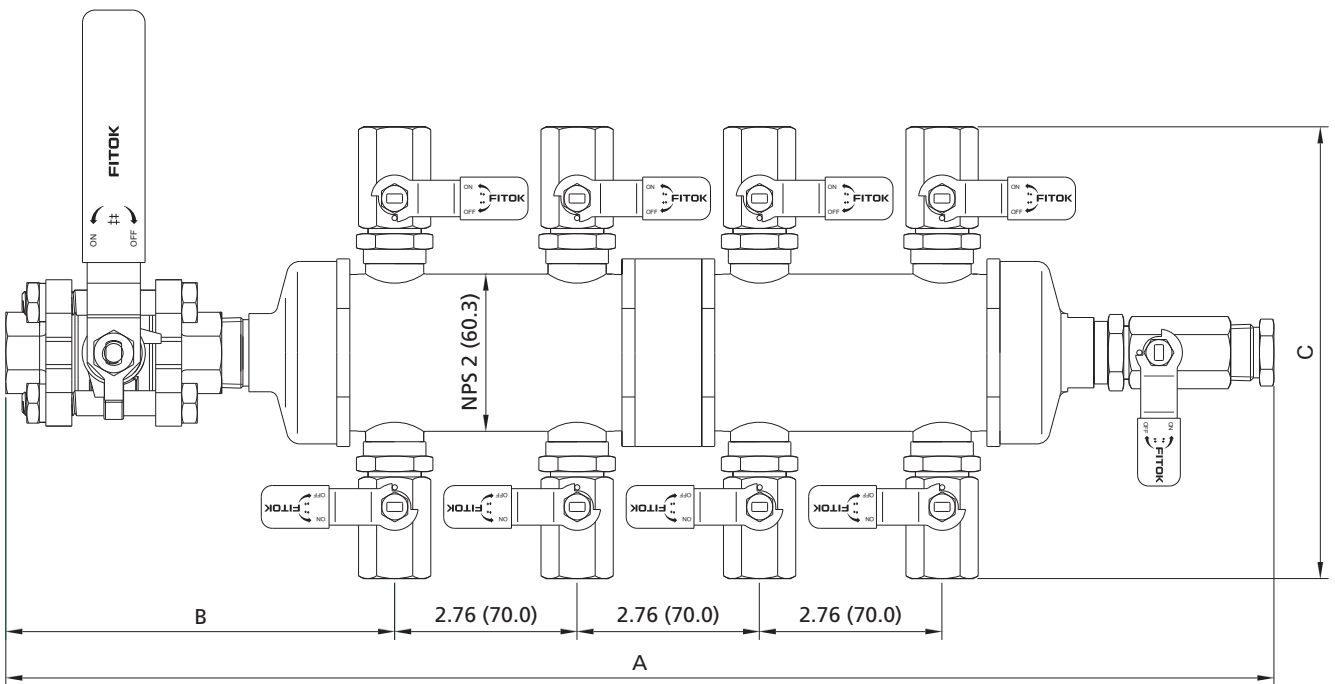
| Port | Connection Type | Specification | Standard |
|--------|-----------------|----------------------|------------------|
| Inlet | Female NPT | 1" | ASME B1.20.1 |
| | Flange | Class 150, Class 300 | ASME B16.5 |
| | | PN16, PN25, PN40 | EN1092, GB/T9115 |
| Outlet | Female NPT | 1/2" | ASME B1.20.1 |
| Vent | Female NPT | 1/2" | ASME B1.20.1 |

Note: The connections listed above are standard. For other connection types, refer to "Ordering Number Description".

Ordering information and Dimensions

Dimensions, in inches (millimeters), are for reference only and are subject to change.

Air Header



| Basic Ordering Number | Connection Type and Size | Dimensions, in. (mm) | | |
|--------------------------|---|----------------------|--------------|--------------|
| | | A | B | C |
| AH□□-AM16-8FNS8-FNS8 | Inlet: 1" Class 150 RF flange; Outlet: 8 outlets, 1/2" Female NPT; Vent: 1/2" female NPT with plug | 14.60 (370.8) | 3.39 (86.0) | 6.81 (173.0) |
| AH□□-FNS8-4FL4Y-FNS8 | Inlet: 1/2" Female NPT; Outlet: 4 outlets, 1/4" FITOK tube fitting with plug; Vent: 1/2" female NPT with plug | 8.00 (203.0) | 2.29 (58.2) | 9.71 (246.7) |
| AH□□-FNS12Y-8FNS8-VPFNS8 | Inlet: 3/4" Female NPT with BG series ball valve; Outlet: 8 outlets, 1/2" Female NPT; Vent: 1/2" Female NPT with valve and plug | 19.80 (503.0) | 6.61 (168.0) | 6.81 (173.0) |

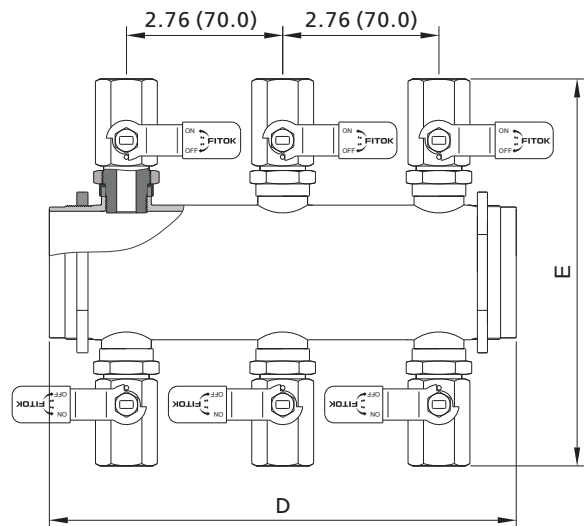
For a complete ordering number, add a material designator to the basic ordering number. For other materials and connections, please contact the FITOK Group or our authorized distributors.

Accessory - Standard Module

Includes: main line, outlet valve, lock nut, support ring and seal ring.

| Basic Ordering Number | Number of Outlet Valve | Dimensions, in. (mm) | |
|-----------------------|------------------------|----------------------|--------------|
| | | D | E |
| □□AH-4FNS8 | 4 | 5.47 (139.0) | 6.81 (173.0) |
| □□AH-6FNS8 | 6 | 8.23 (209.0) | |

For a complete ordering number, add a material designator to the basic ordering number.



Other Accessories

| Accessory | Basic Ordering Number | Description |
|----------------|-----------------------|---------------------------|
| Inlet Flange | □□AH-AM16 | 1" Class 150 RF flange |
| Inlet Thread | □□AH-FNS16 | 1" Female NPT |
| Connection Nut | □□AH-LM60 | Connects standard modules |
| O-ring | BN9-932 | NBR O-ring |

To order accessories other than O-ring, add a material designator (same with the main line) to the basic ordering number. For other inlet flange or thread types, please contact FITOK Group or our authorized distributors.

Ordering Number Description

AHS4 - FNS12Y - 4ML10Y - VFNS8 - U - F2

| Series | Main Line Material | Inlet Type | Inlet Size | Inlet Valve | Number of Outlets | Outlet Type | Outlet Size | Outlet Plug | Vent Valve/Plug | Vent Type | Vent | Handle Type | Cleaning and Packaging |
|--------|--------------------|-------------------------|------------|-------------|-------------------|--------------------------------|-----------------------|--------------------|--------------------------------|-----------------------------|------------------|--|------------------------|
| AH | SS 316 SS | FNS Female NPT | 8 1/2" | No | 4 | FNS Female NPT | No | Plug | FNS Female NPT | Female NPT | 8 1/2" or 8 mm | Stainless steel bar handle with Yellow Vinyl Cover | FC-01 |
| | S4 304 SS | FRT Female BSTP | 12 3/4" | Y Yes | 6 | NS Male NPT | Y Yes | V Valve | NS Male NPT | Male NPT | M10x1 or 10 mm | Stainless Steel Bar Handle with Lock | F2 FC-02 |
| | | AM Class 150 RF Flange | 16 1" | | 8 | ML Metric Tube Fitting | | VP Valve with Plug | ML Metric Tube Fitting | Metric Tube Fitting | 3/4" or 12 mm | | |
| | | AET Class 300 RF Flange | 20 1 1/4" | | 10 | FL Fractional Tube Fitting | | | FL Fractional Tube Fitting | Fractional Tube Fitting | M14x1.5 or 14 mm | | |
| | | DE PN 16 RF Flange | 24 1 1/2" | | 12 | MS Male Metric Thread (for RG) | | | MS Male Metric Thread (for RG) | Male Metric Thread (for RG) | | | |
| | | DM PN 25 RF Flange | 32 2" | | 14 | BP Male BSPP (for RG) | | | BP Male BSPP (for RG) | Male BSPP (for RG) | | | |
| | | DMT PN 40 RF Flange | | | | | 4 1/4" | | | | | | |
| | | | | | | | 6 3/8" or 6 mm | | | | | | |
| | | | | | | | 8 1/2" or 8 mm | | | | | | |
| | | | | | | | 10 M10 x 1 or 10 mm | | | | | | |
| | | | | | | | 12 3/4" or 12 mm | | | | | | |
| | | | | | | | 14 M14 x 1.5 or 14 mm | | | | | | |

Note:

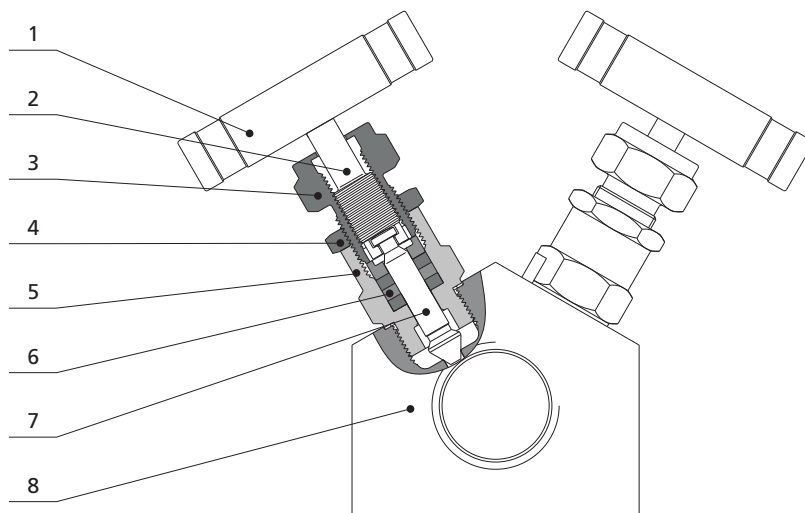
- "Ordering Number Description" is an reference to understand the combination rules of FITOK part number.
Not all combinations are available.
- Cleaning and Packaging:
FC-01: Standard cleaning and packaging for general industrial procedures.
FC-02: Special cleaning and packaging for wetted system components to ensure compliance with product cleaning requirement as stated in ASTM G93 Level C.

CM Series Distribution Manifolds

Features

- ⦿ Working pressure up to 6000 psig
- ⦿ Working temperature:
 - PTFE packing: -15 to 450°F (-26 to 232°C)
 - Graphite packing: -15 to 1200°F (-26 to 649°C)
- ⦿ One-piece, integral body, compact design
- ⦿ Linear instead of rotary movement of the rising, non-rotating stem minimizes packing abrasion and reduces the friction between the seat and the tip
- ⦿ Upper stem threads cold rolled and lower stem hardened for high strength and smooth operation
- ⦿ Fully back seat sealing at fully open position
- ⦿ Every distribution manifold leak tested at factory with air or Nitrogen at rated working pressure

Major Materials of Construction



| Item | Component | Material | |
|------|---------------|-------------------|----------|
| 1 | Handle | Anodized aluminum | |
| 2 | Upper stem | 316 SS | |
| 3 | Packing gland | 304 SS | |
| 4 | Lock nut | Stainless Steel | |
| 5 | Bonnet | 316 SS | |
| 6 | Packing | PTFE | Graphite |
| 7 | Lower stem | 316 SS | |
| 8 | Body | 304 SS | 316 SS |

Standard Connection Types

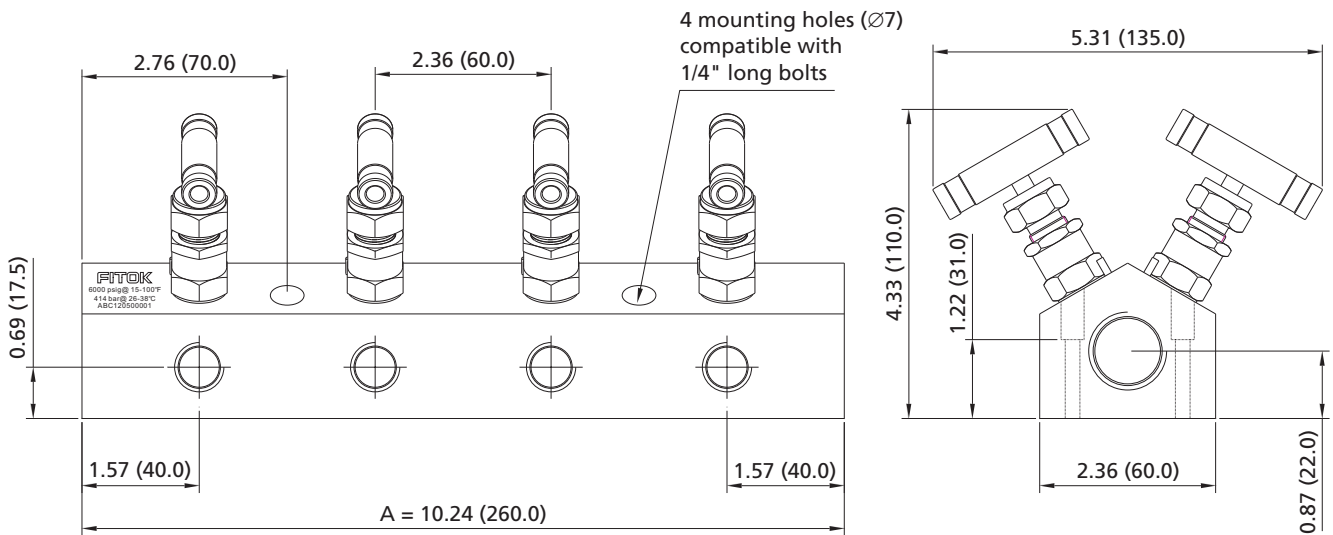
| Port | Connection Type | Specification | Standard |
|--------|-----------------|---------------|--------------|
| Inlet | Female NPT | 3/4" | ASME B1.20.1 |
| Outlet | Female NPT | 1/4" | ASME B1.20.1 |
| Vent | Female NPT | 1/2" | ASME B1.20.1 |

Note: The connections listed above are standard. For other connection types, refer to "Ordering Number Description".

Dimensions

Dimensions, in inches (millimeters), are for reference only and are subject to change.

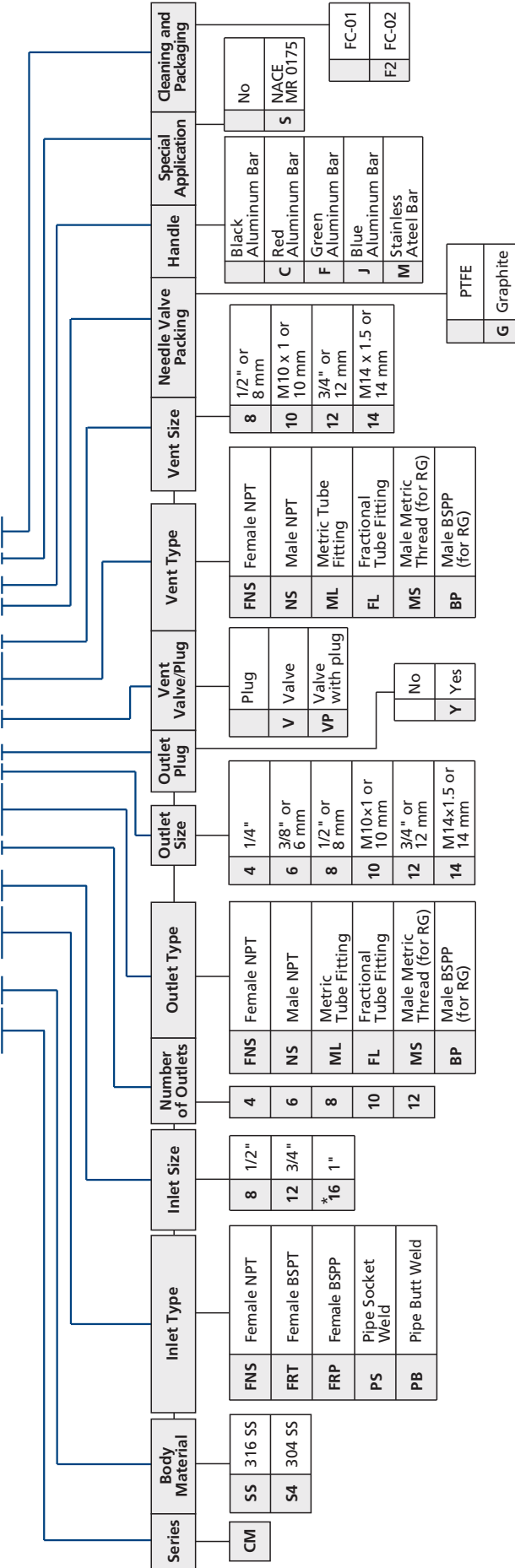
Changes in number of outlets only affect the overall length A, and other dimensions remain the same.



8-outlet manifold shown

Ordering Number Description

CMSS-FNS12-8FNS4Y-VFNS8-GC-SF2



Note:

- "Ordering Number Description" is an reference to understand the combination rules of FITOK part number.
Not all combinations are available.
- Cleaning and Packaging:
FC-01: Standard cleaning and packaging for general industrial procedures.
FC-02: Special cleaning and packaging for wetted system components to ensure compliance with product cleaning requirement as stated in ASTM G93 Level C.
- *Applies to maximum working pressure 3000 psig

FITOK Group

FITOK GmbH (Headquarters)

Sprendlinger Landstr. 115, 63069 Offenbach am Main, Germany
Tel.: +49 69 8900 4498 Fax: +49 69 8900 4495

FITOK, Inc.

13843 North Promenade Blvd., Suite 750, Stafford, Texas 77477, USA
Tel.: +1 281 888 0077 Fax: +1 281 582 4051

FITOK Incorporated

1-4F, Block C, Zone E, Yingtai Industrial Park, Dalang Street,
Longhua District, Shenzhen, 518109, China
Tel.: +86 755 2803 2500 Fax: +86 755 2803 2619

FITOK (Suzhou) Metal Products Co., Ltd.

No. 29 Changsheng Road, Yangyuan Industrial Park, Xinzhuang Town,
Changshu, Jiangsu 215562, China
Tel.: +86 512 5247 9001 Fax: +86 512 5247 9002

FITOK Middle East Oil Equipment Trading LLC

208-209, Makateb Building, P.O.Box 185412, Airport Road, Deira, Dubai, UAE
Tel.: +971 4 2959 853 Fax: +971 4 2959 854

FITOK Canada Inc.

5407 Roper Rd. Edmonton, Alberta, T6B 3L6, Canada
Tel.: +1 780 966 8895

info@fitokgroup.com
www.fitokgroup.com

FK-IC-GV-14-EN-190424